

# Waveguide Termination

# WT22A

WR22, 32.9-50.1 GHz, 0.5 Watts, Round Cover Flange



Rev 3

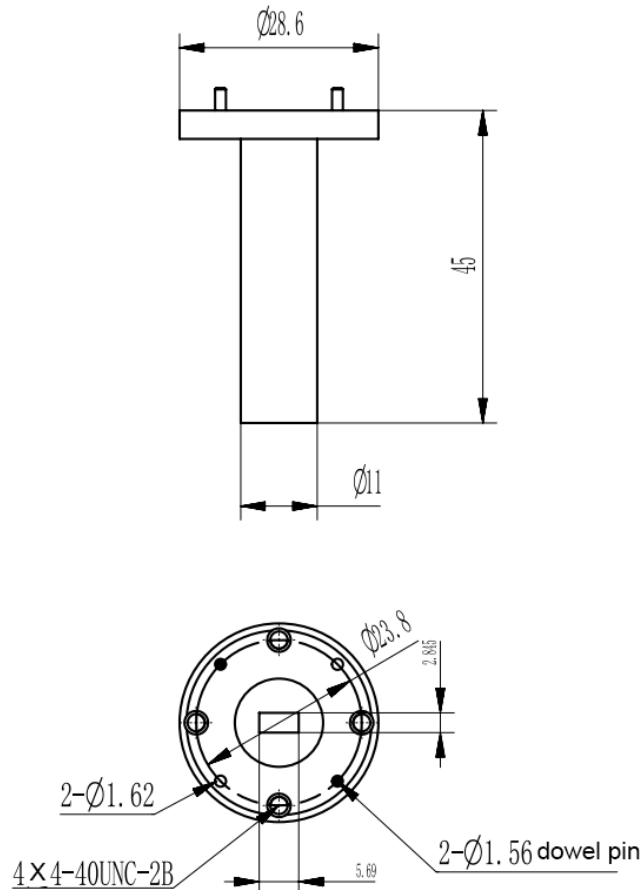
## Electrical

Frequency Range	32.9-50.0 GHz
VSWR	1.05 max
Input Avg Power	0.5 Watts @ 25°C
Operating Temperature	-40°C ~ +70°C

## Mechanical

Waveguide Size	WR22(R400)
Flange Type	UG383/U
Waveguide Material	Copper
Waveguide Finish	Gold plated

## Dimensions(mm)





### Typical Test Data

