



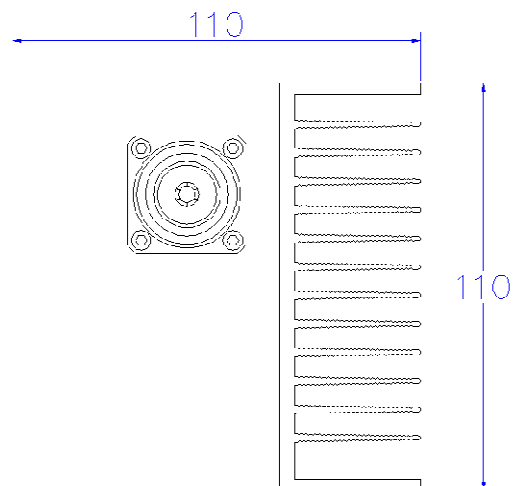
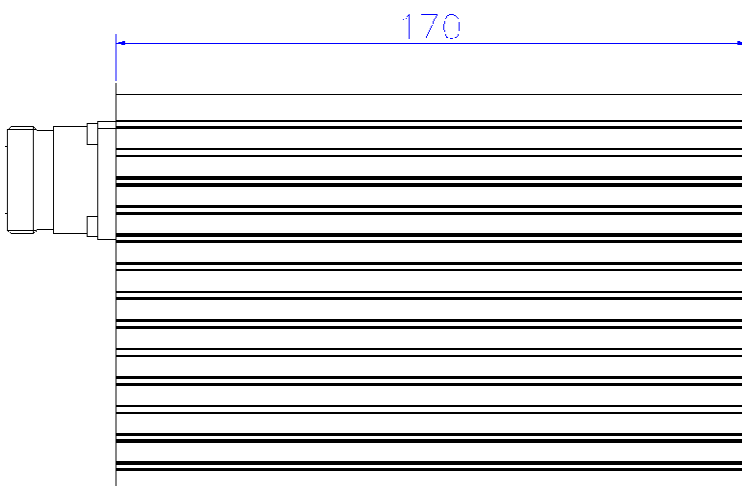
**Electrical & Environmental**

Impedance	50 ohm
Frequency Range	400-6000 MHz
Return Loss	20.8 dB min@400-4000MHz, 16dB min@4000-6000 MHz
Input Avg Power	200W@ 25°C
PIM (Intermod)	-160dBc min (with 2×20W tones at 900/1800MHz @25°C)
Ingress Protection	Indoor use only
Operating Temp	-30°C-+65°C

**Mechanical**

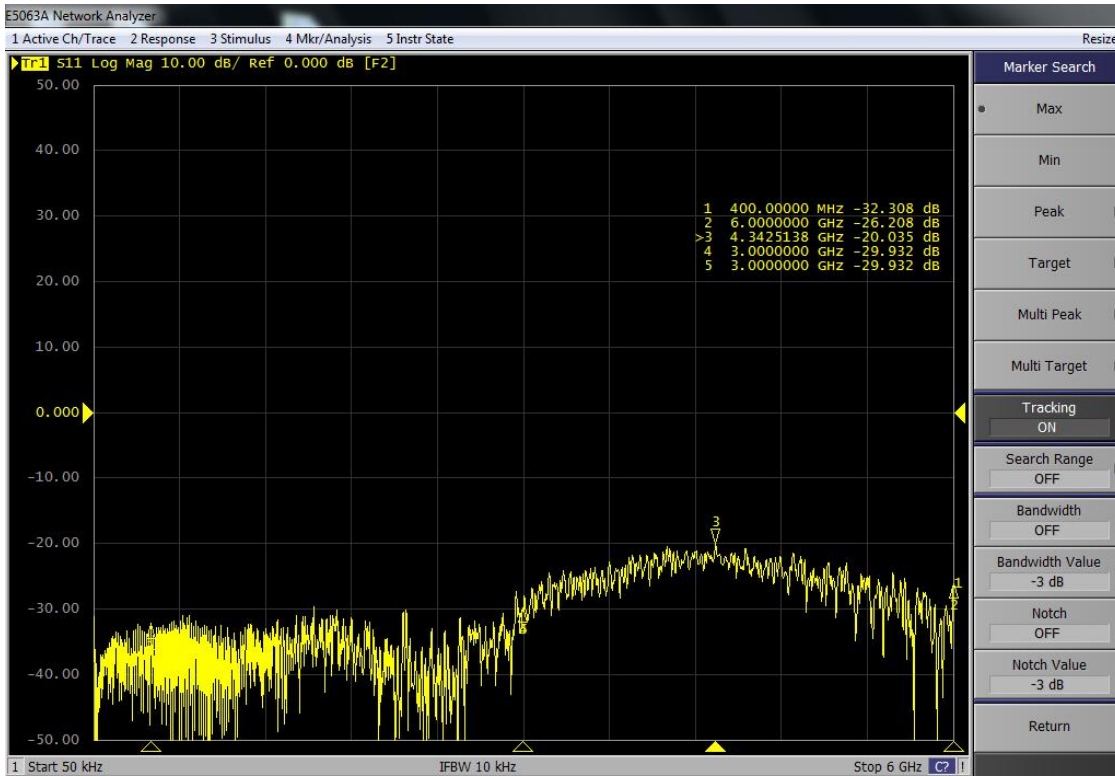
Connector	4.3-10 female
Connector Body	Brass, ternary alloy plated
Center Contact	Silver plated BeCu
Dielectric	PTFE
Housing	Aluminum, anodized black
Weight	Approx 3 kg

**Dimensions(mm)**





Typical Test Data



S Parameter



PIM3