



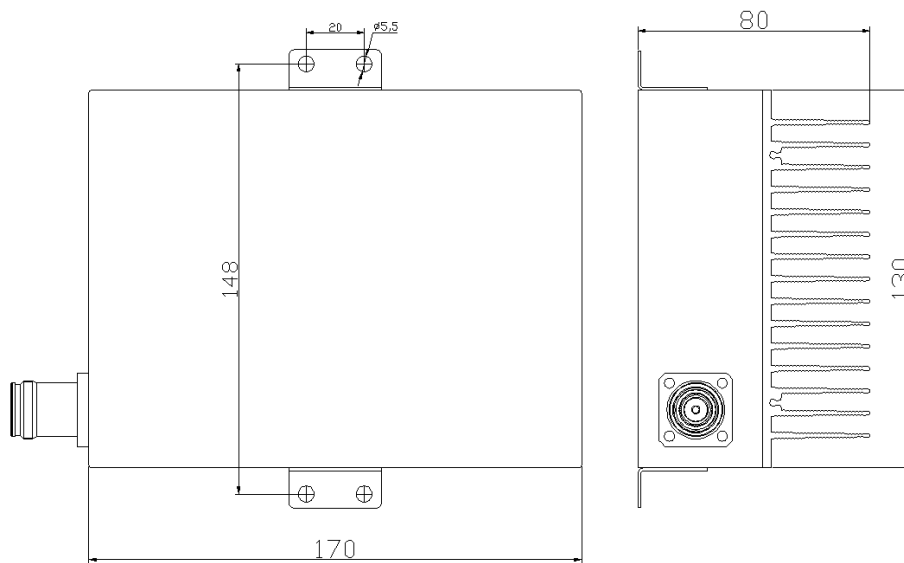
Electrical & Environmental

Impedance	50 ohm
Frequency Range	400-6000 MHz
Return Loss	16 dB min@400-600MHz, 18dB min@600-6000 MHz
Input Avg Power	150W@ 25°C
PIM (Intermod)	-160dBc min (with 2×20W tones at 850/2600MHz @25°C)
Ingress Protection	Indoor use only
Operating Temp	-30°C-+65°C

Mechanical

Connector	N female
Connector Body	Brass, ternary alloy plated
Center Contact	Silver plated BeCu
Dielectric	PTFE
Housing	Aluminum, anodized black
Net Weight	Approx 2.5kg

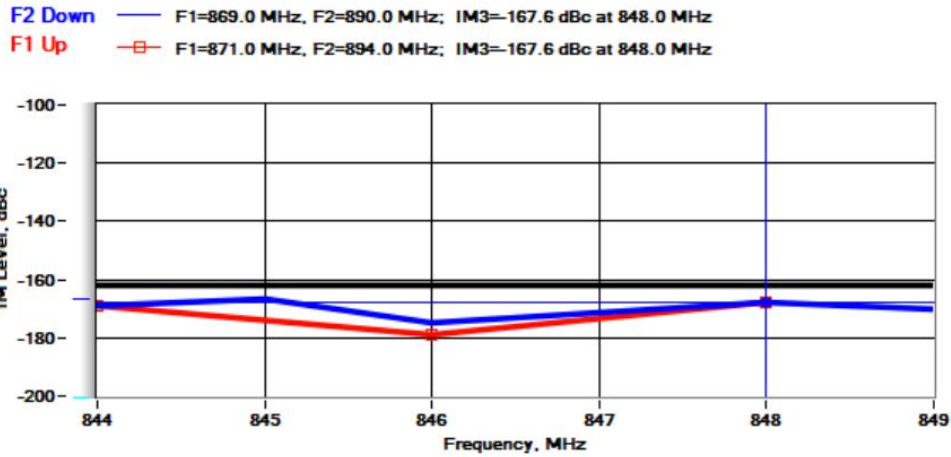
Dimensions(mm)



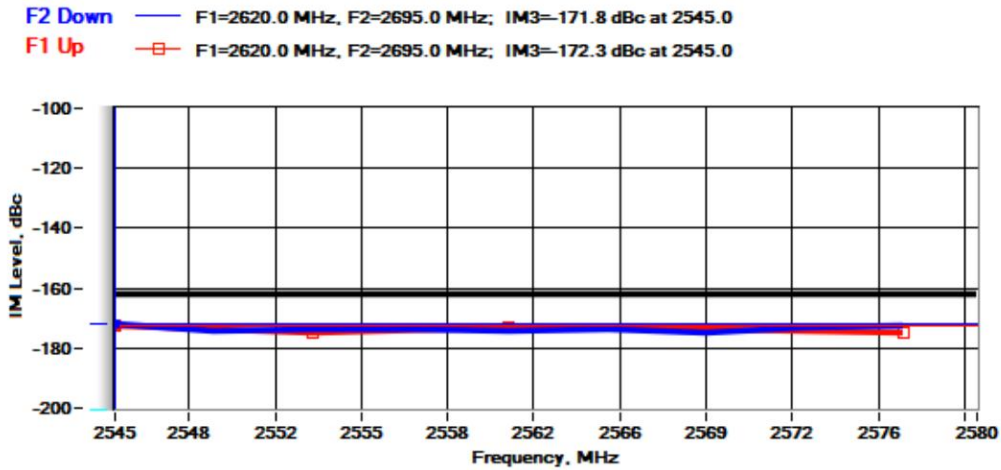


Typical Test Data

Passive IM Response(850MHz)



Passive IM Response(1800MHz)





S Parameter

