



**10 dBi Gain, 17.6-26.7 GHz, WR42 Standard Gain Horn with 2.92mm Female Port**

Rev 2

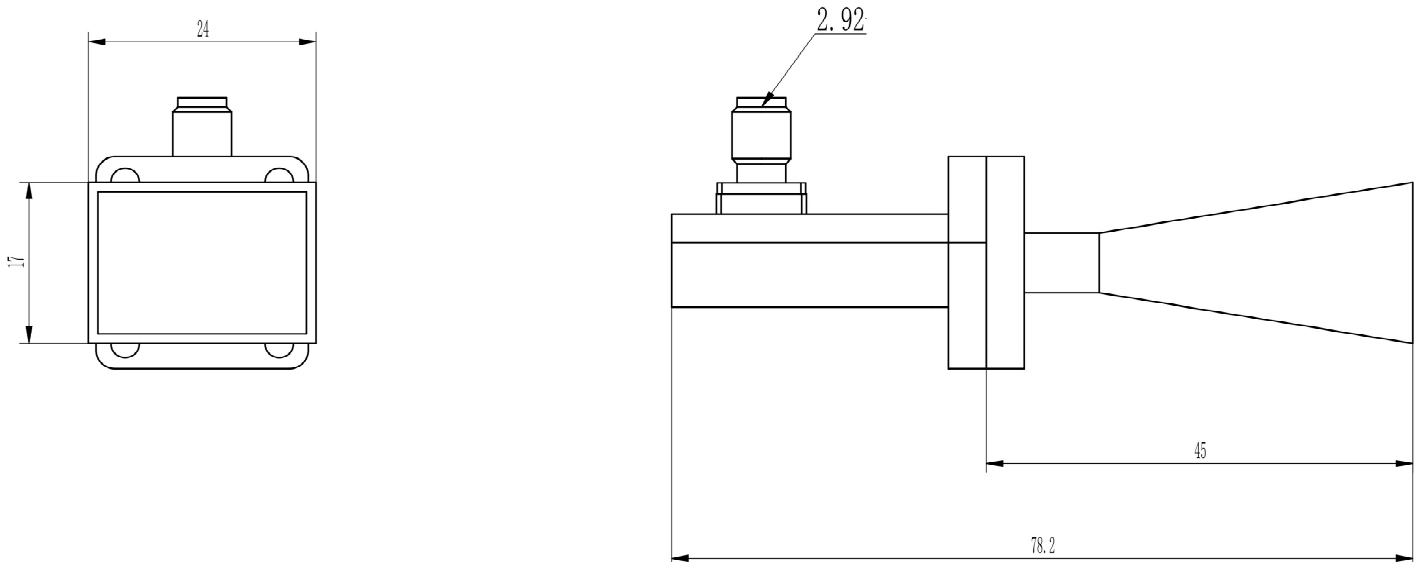
**Electrical**

Frequency Range	17.6-26.7 GHz
Norminal Gain	10 dBi
Polarization	Linear
VSWR	1.4 max
3dB Beamwidth	H-Plane: 33.6~49.3 deg, E-Plane: 37.9~55.8 deg
Operating Temperature	-40°C~+70°C

**Mechanical**

Waveguide Size	WR42
Flange Type	UBR220 Square Cover Flange
Body Material and Finish	Copper, Painted
RF Connector	2.92mm Female
Net Weight	Approx 100g

**Dimensions(mm)**





**10 dBi Gain, 17.6-26.7 GHz, WR42 Standard Gain Horn with 2.92mm Female Port**

Rev 2

**Typical Test Data**

