

**15 dBi Gain, 3.94-5.99 GHz, WR187 Standard Gain Horn with N Female Port**

Rev 1

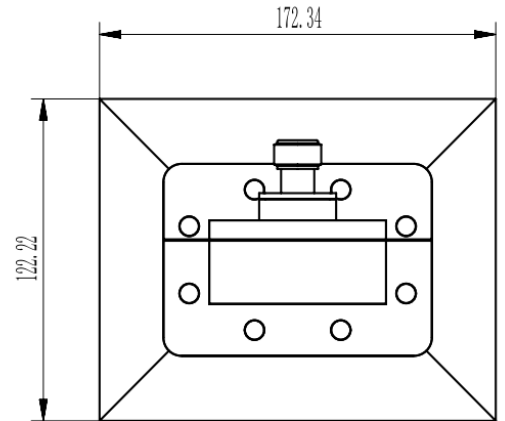
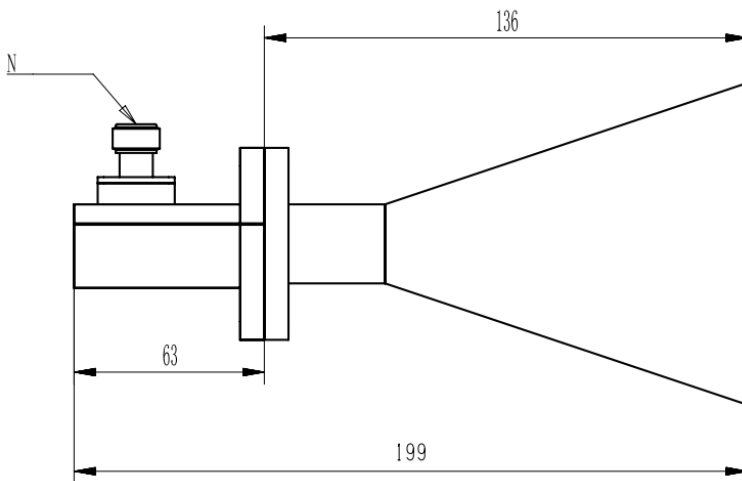
**Electrical**

Frequency Range	3.94-5.99 GHz
Norminal Gain	15 dBi
Polarization	Linear
VSWR	1.4 max
3dB Beamwidth	H-Plane: 22~34 deg, E-Plane: 23~32 deg
Operating Temperature	-40°C~+70°C

**Mechanical**

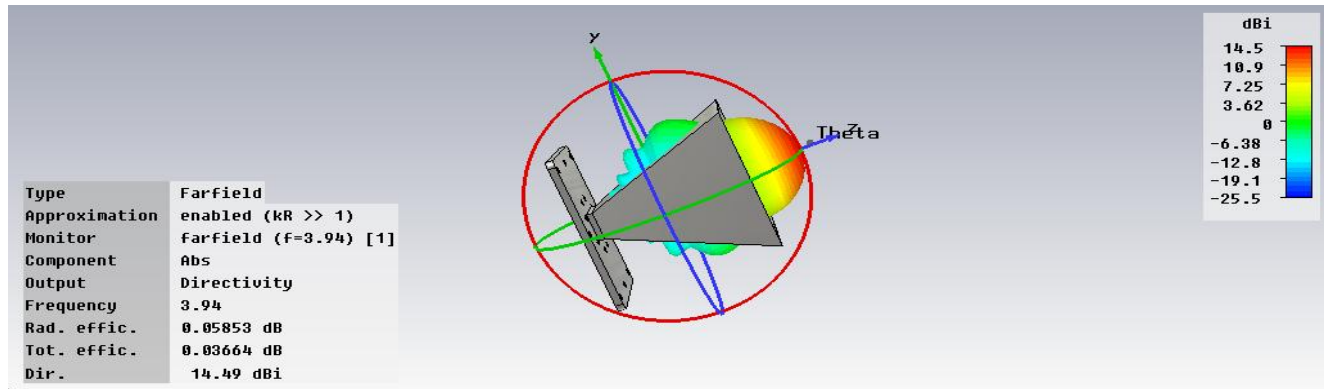
Waveguide Size	WR187
Body Material and Finish	Aluminum, Painted
RF Connector	N Female
Net Weight	Approx 650g

**Dimensions(mm)**

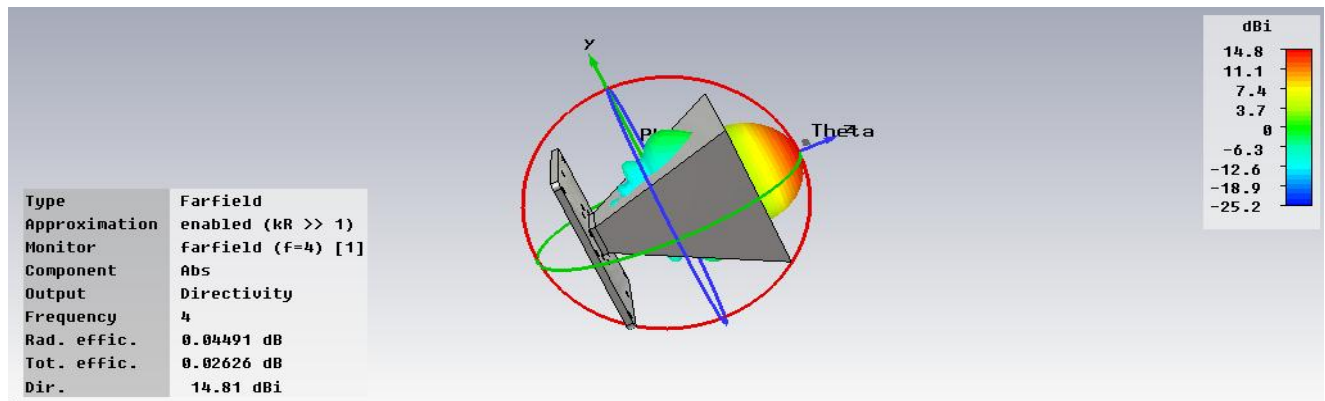


# Gain

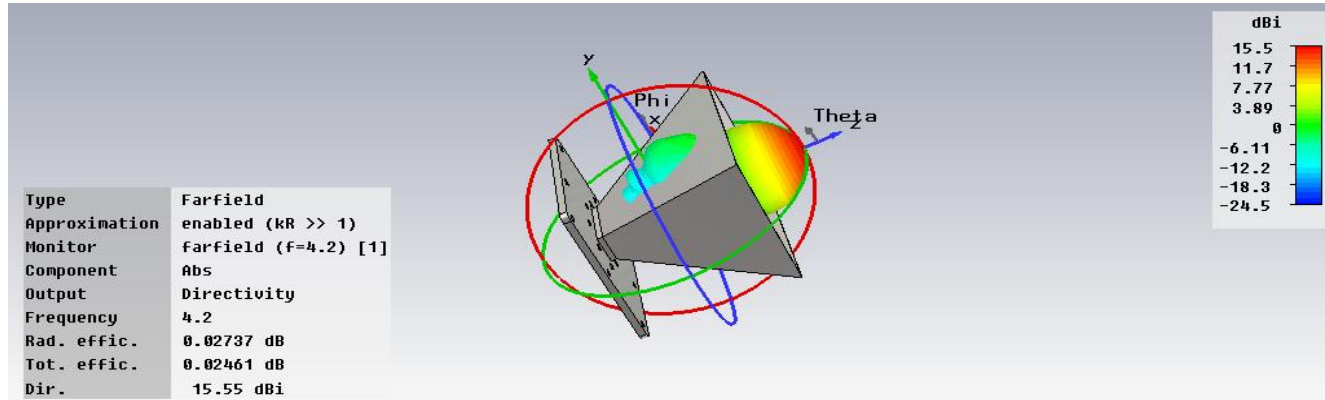
3.94GHz



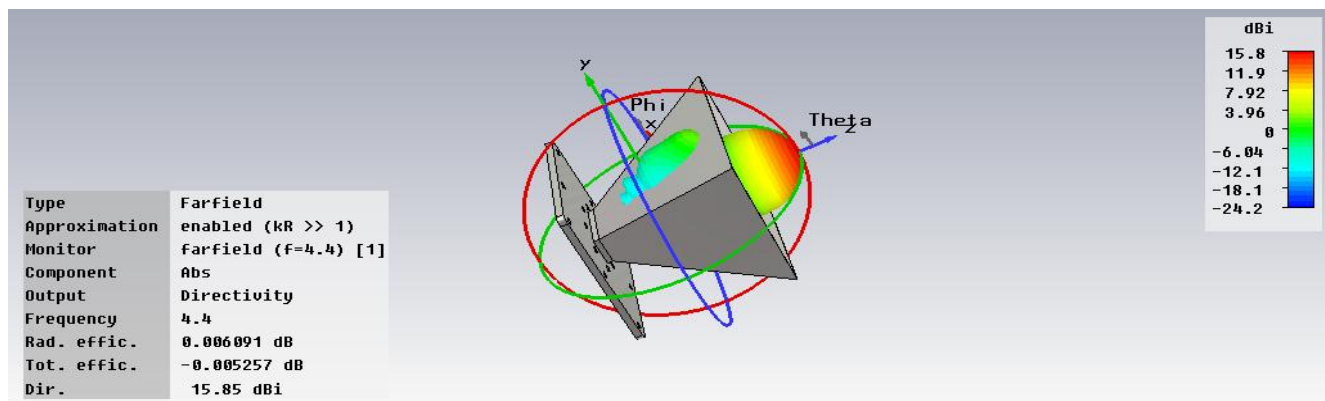
4GHz



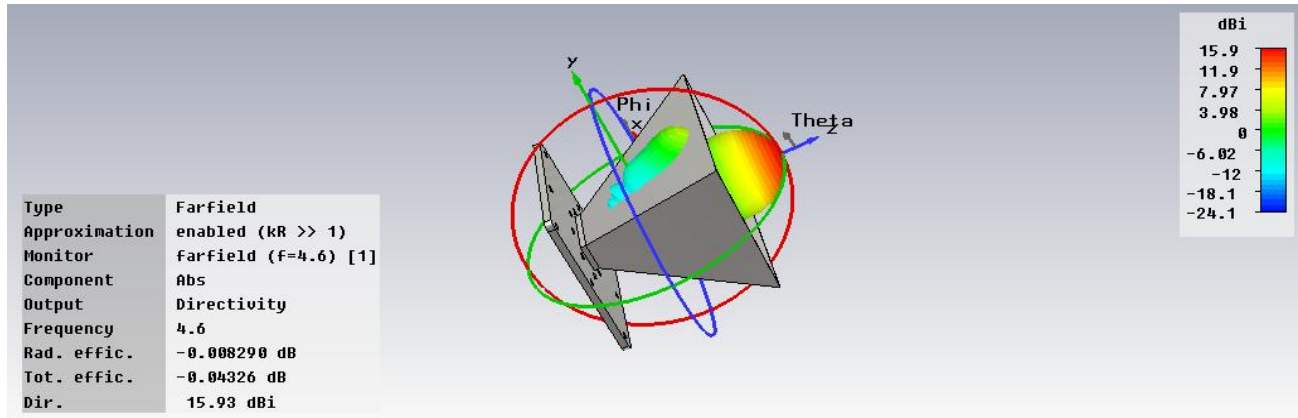
4.2GHz



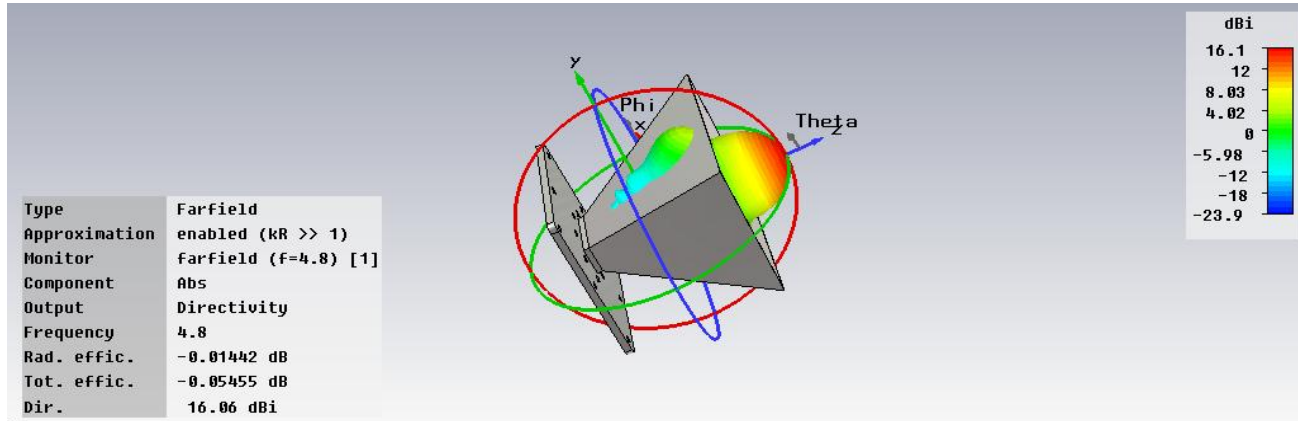
4.4GHz



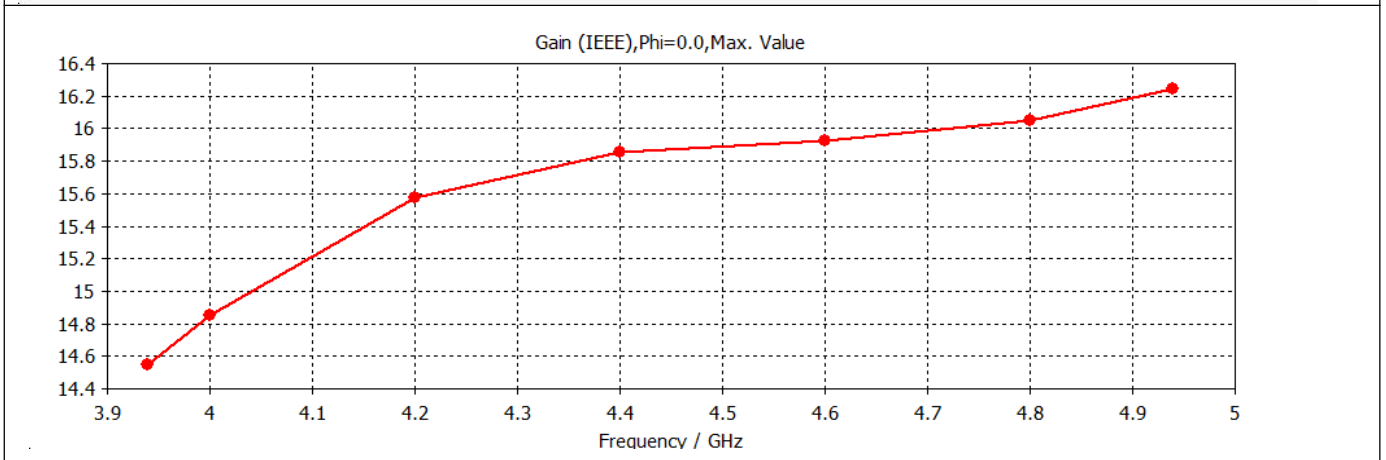
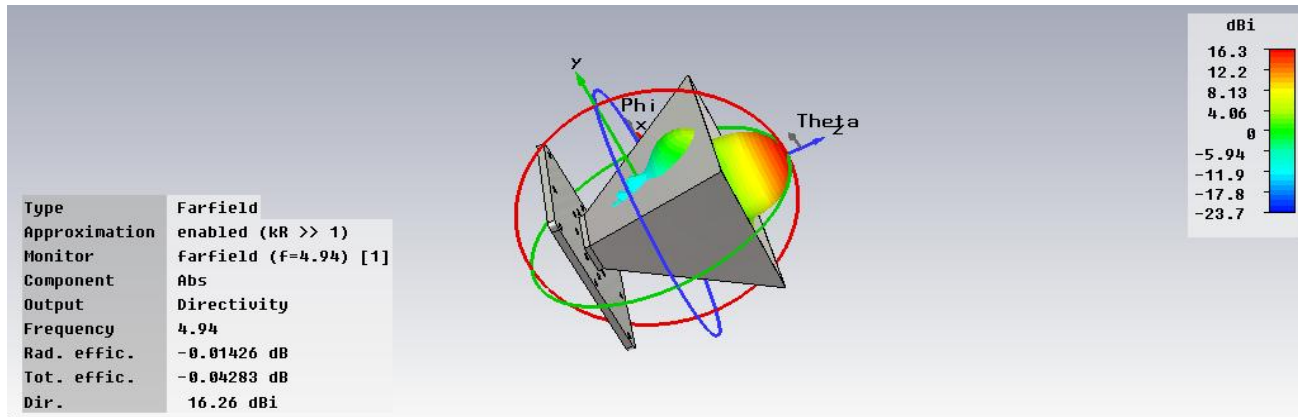
### 4.6GHz



### 4.8GHz



### 4.94GHz



# Typical Test Data

