

15 dBi Gain, 3.94-5.99 GHz, WR187 Standard Gain Horn with UDR48

Flange

Rev 1

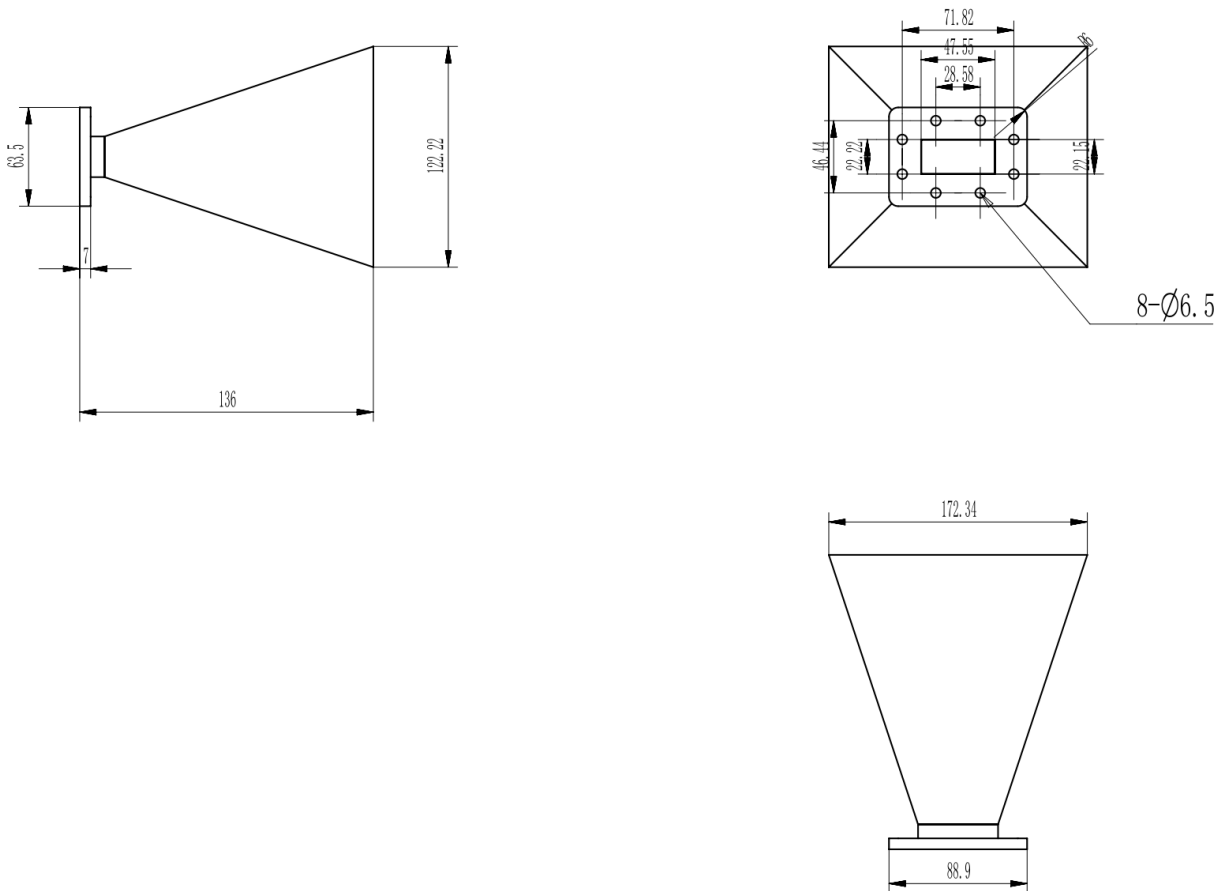
Electrical

Frequency Range	3.94-5.99 GHz
Norminal Gain	15 dBi
Polarization	Linear
VSWR	1.2 max
3dB Beamwidth	H-Plane: 22~34 deg, E-Plane: 23~32 deg
Operating Temperature	-40°C~+70°C

Mechanical

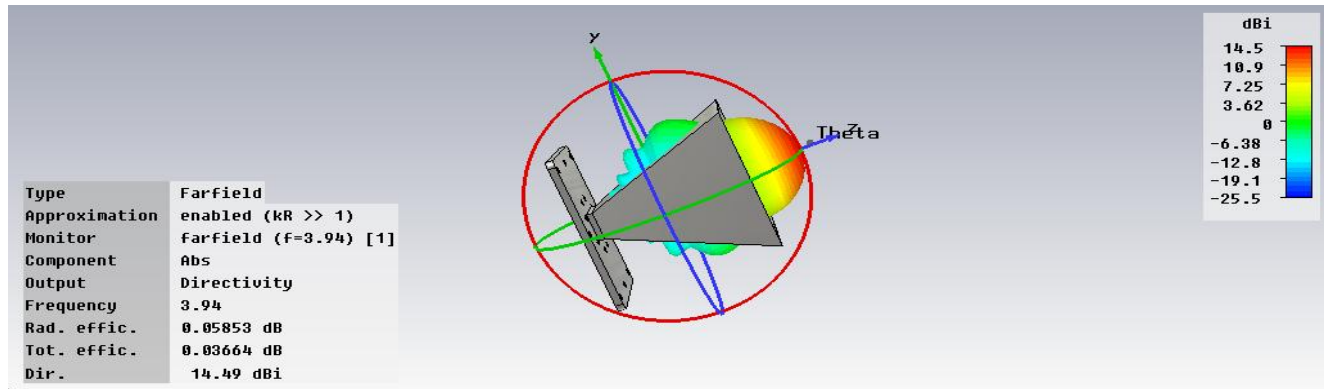
Waveguide Size	WR187
Flange Type	UDR48 Rectangular Cover Flange
Body Material and Finish	Aluminum, Painted

Dimensions(mm)

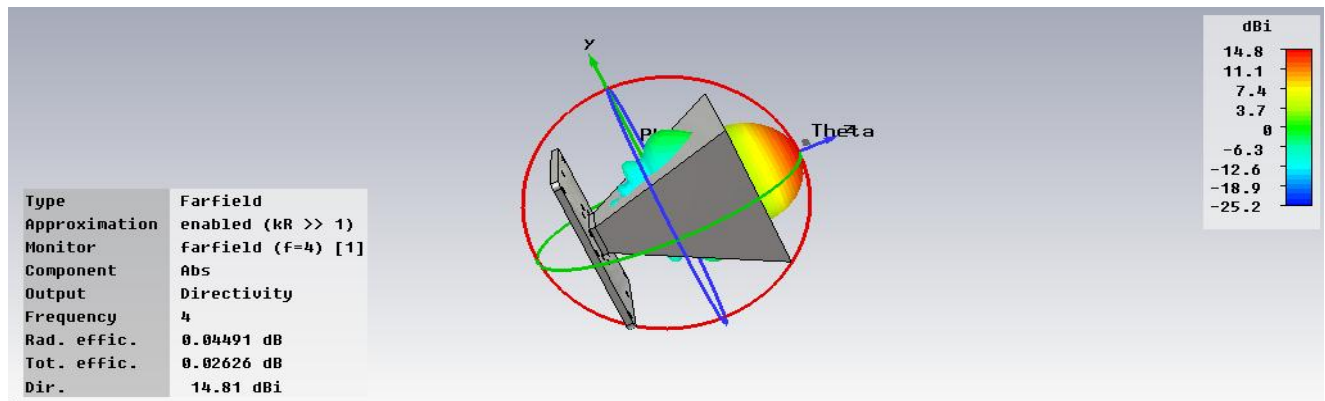


Gain

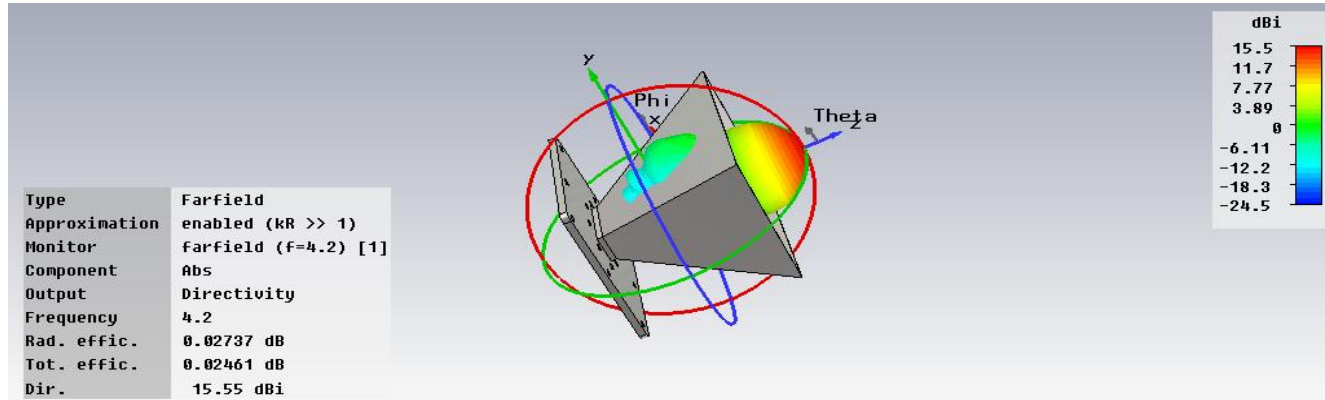
3.94GHz



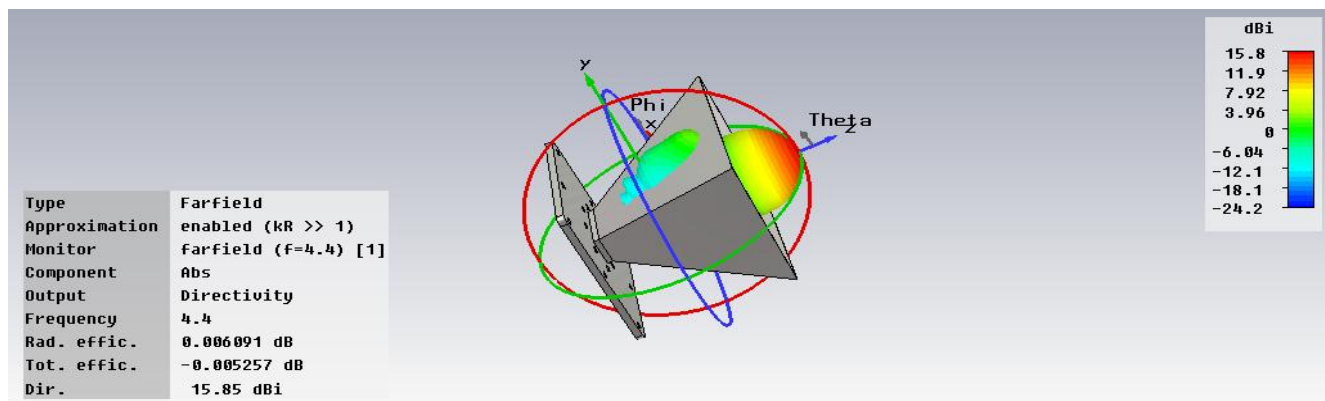
4GHz



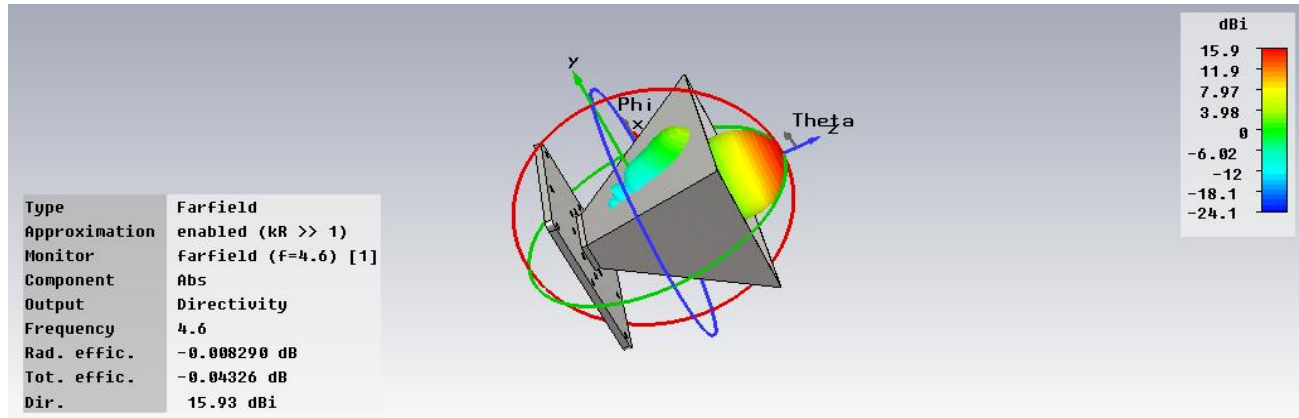
4.2GHz



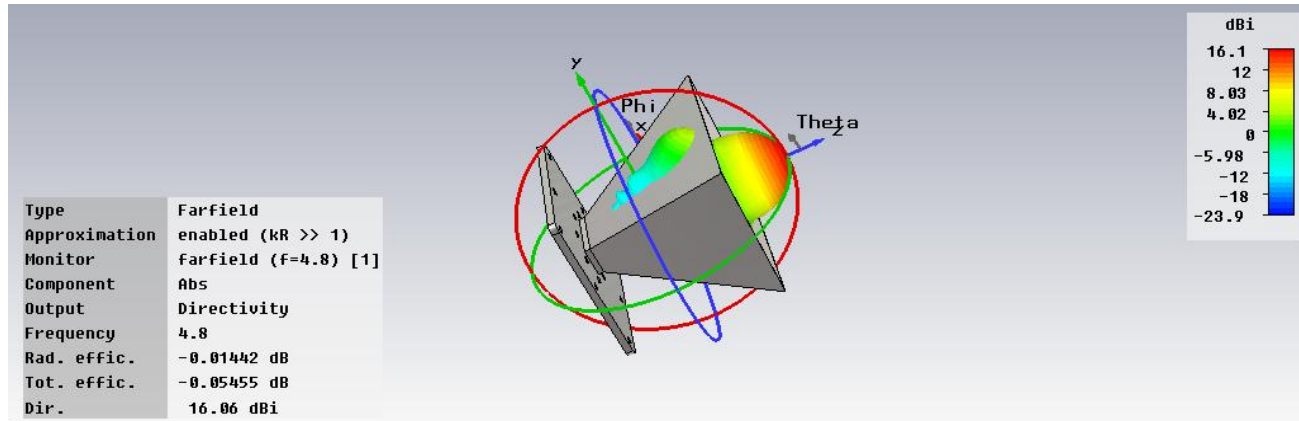
4.4GHz



4.6GHz



4.8GHz



4.94GHz

