



## 20 dBi Gain, 49.8-75.8 GHz, WR15 Standard Gain Horn with UG385/U Flange

Rev 2

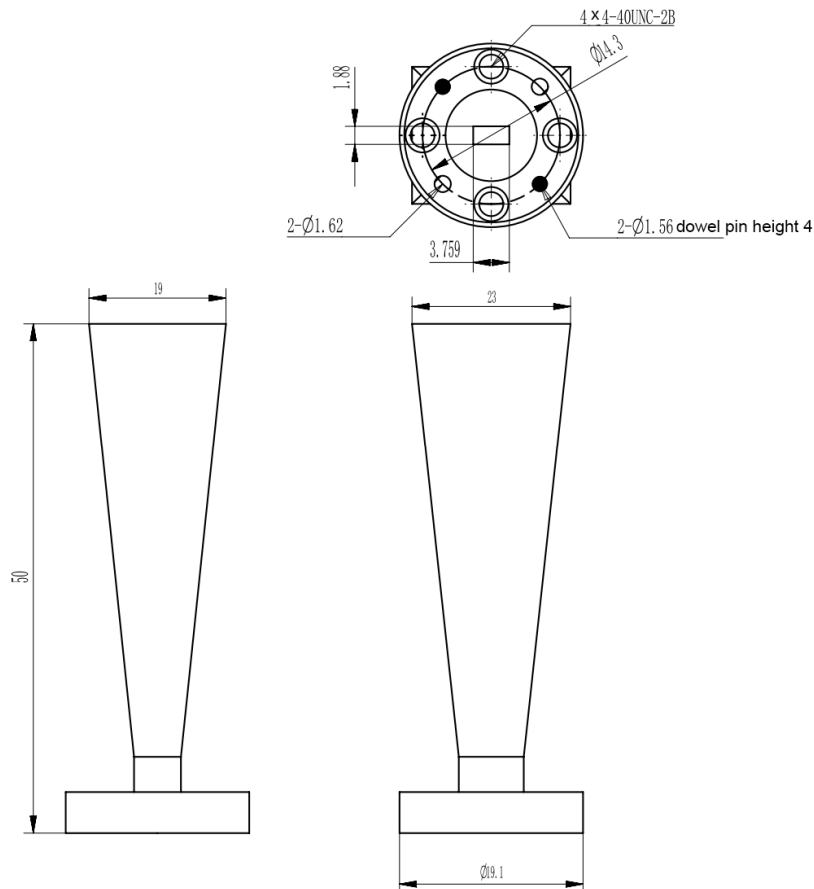
### Electrical

Frequency Range	49.8-75.8 GHz
Norminal Gain	20 dBi
Polarization	Linear
VSWR	1.2 max
3dB Beamwidth	H-Plane: 12.6~17.8 deg, E-Plane: 12.8~19.4 deg
Operating Temperature	-40°C~+70°C

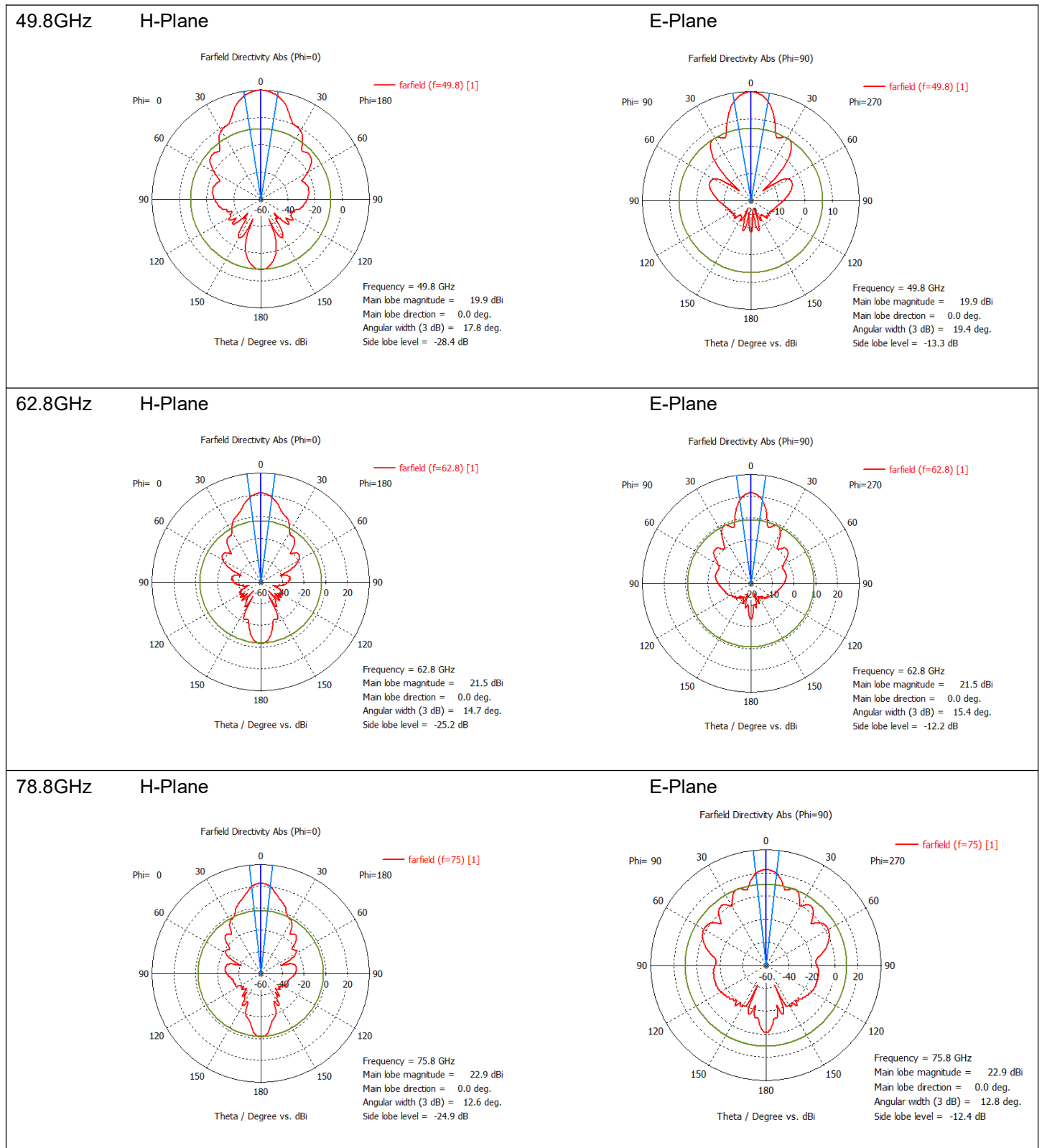
### Mechanical

Waveguide Size	WR15
Flange Type	UG385/U Round Cover Flange
Body Material and Finish	Copper, painting over gold plating

### Dimensions(mm)



# Simulated Antenna Patterns



# Typical VSWR

