

25 dBi Gain, 49.8-70 GHz, WR15 Standard Gain Horn with 1.85mm Female Port

Rev 1

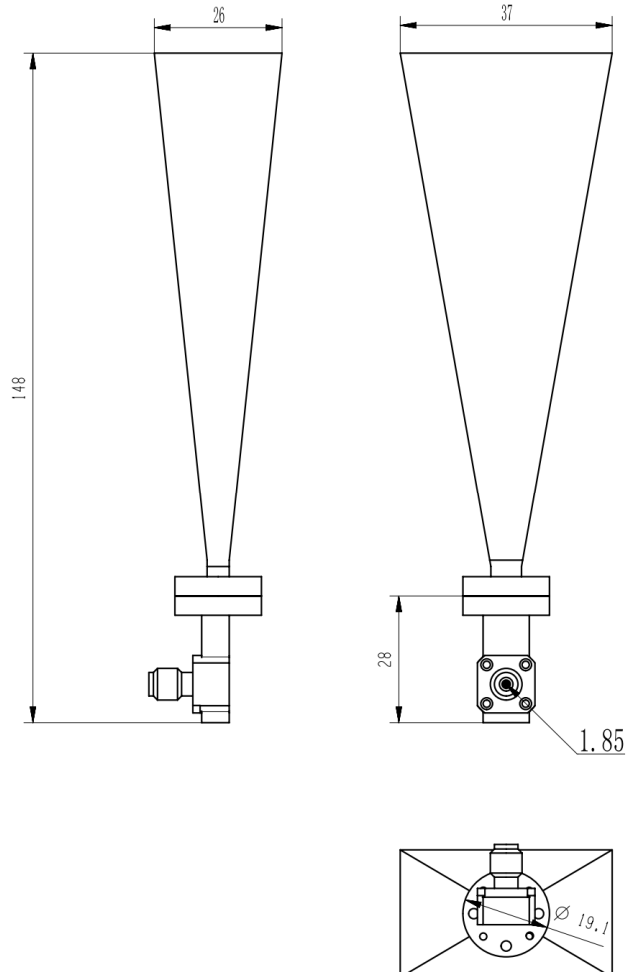
Electrical

Frequency Range	49.8-70 GHz
Norminal Gain	25 dBi
Polarization	Linear
VSWR	1.5 max
3dB Beamwidth	H-Plane: 7.6~10.7 deg, E-Plane: 7.3~10.9 deg
Operating Temperature	-40°C~+70°C

Mechanical

Waveguide Size	WR15
Flange Type	UG385/U Round Cover Flange
Body Material and Finish	Copper, painting over gold plating
RF Connector	1.85mm Female

Dimensions(mm)



Simulated Antenna Patterns

