



**20 dBi Gain, 49.8-70 GHz, WR15 Standard Gain Horn with 1.85mm Female Port**

Rev 1

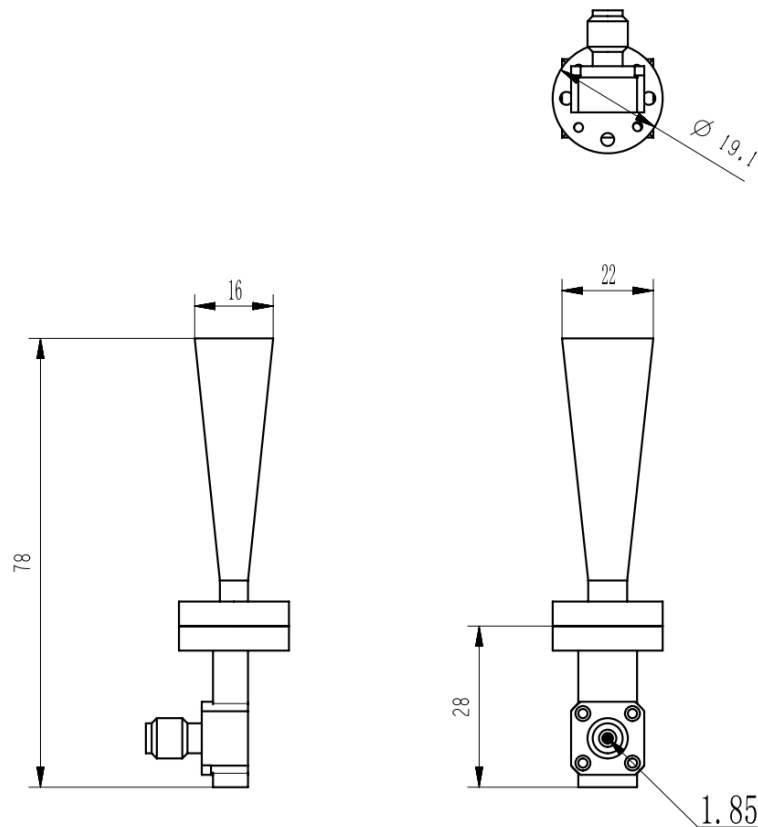
**Electrical**

Frequency Range	49.8-70 GHz
Norminal Gain	20 dBi
Polarization	Linear
VSWR	1.5 max
3dB Beamwidth	H-Plane: 12.6~17.8 deg, E-Plane: 12.8~19.4 deg
Operating Temperature	-40°C~+70°C

**Mechanical**

Waveguide Size	WR15
Flange Type	UG385/U Round Cover Flange
Body Material and Finish	Copper, painting over gold plating
RF Connector	1.85mm Female
Net Weight	Approx 60g

**Dimensions(mm)**

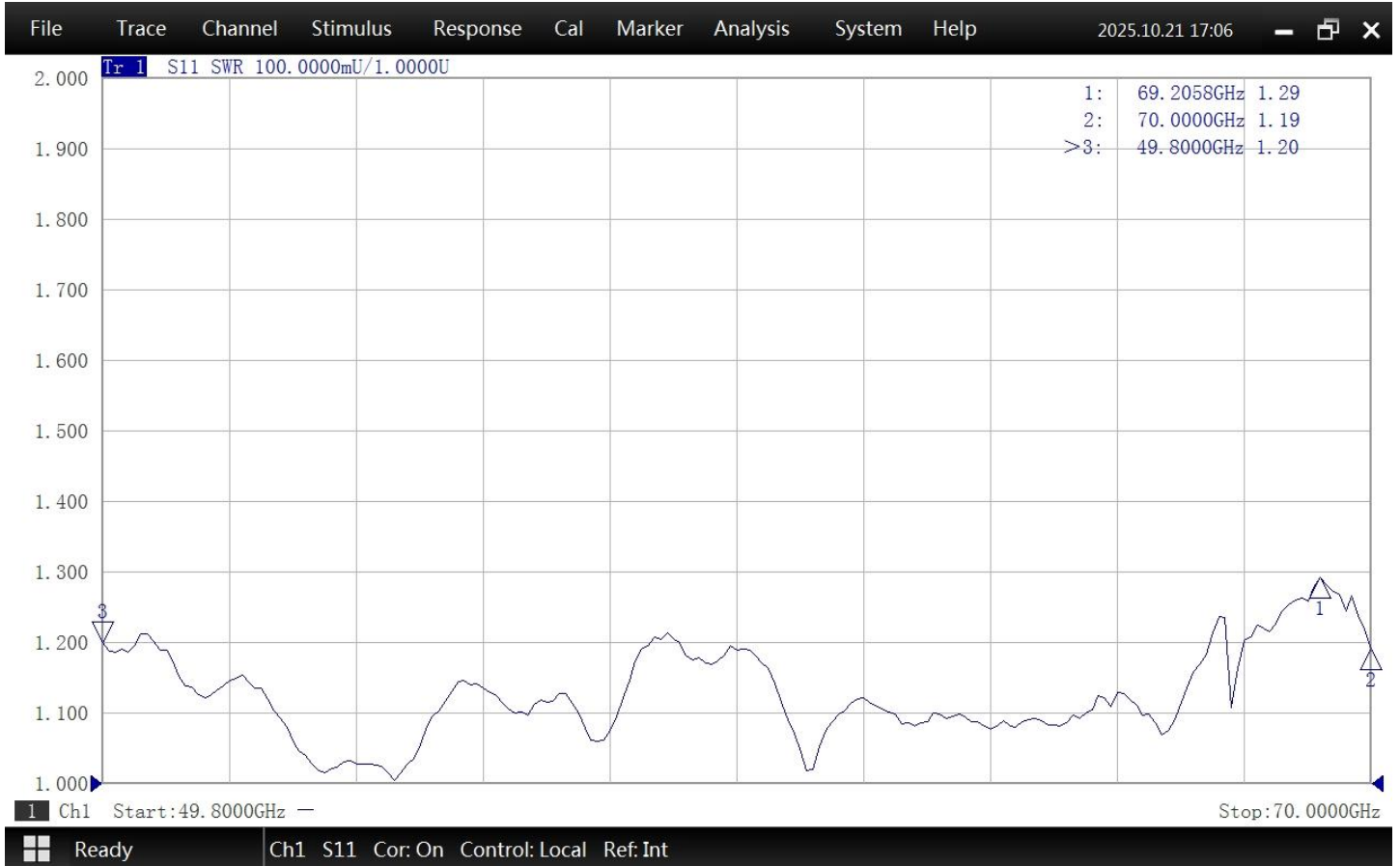




## 20 dBi Gain, 49.8-70 GHz, WR15 Standard Gain Horn with 1.85mm Female Port

Rev 1

### Typical Test Data



# Simulated Antenna Patterns

