

## 10 dBi Gain, 60.5-91.9 GHz, WR12 Standard Gain Horn with UG387/U-Mod Flange

Rev 1

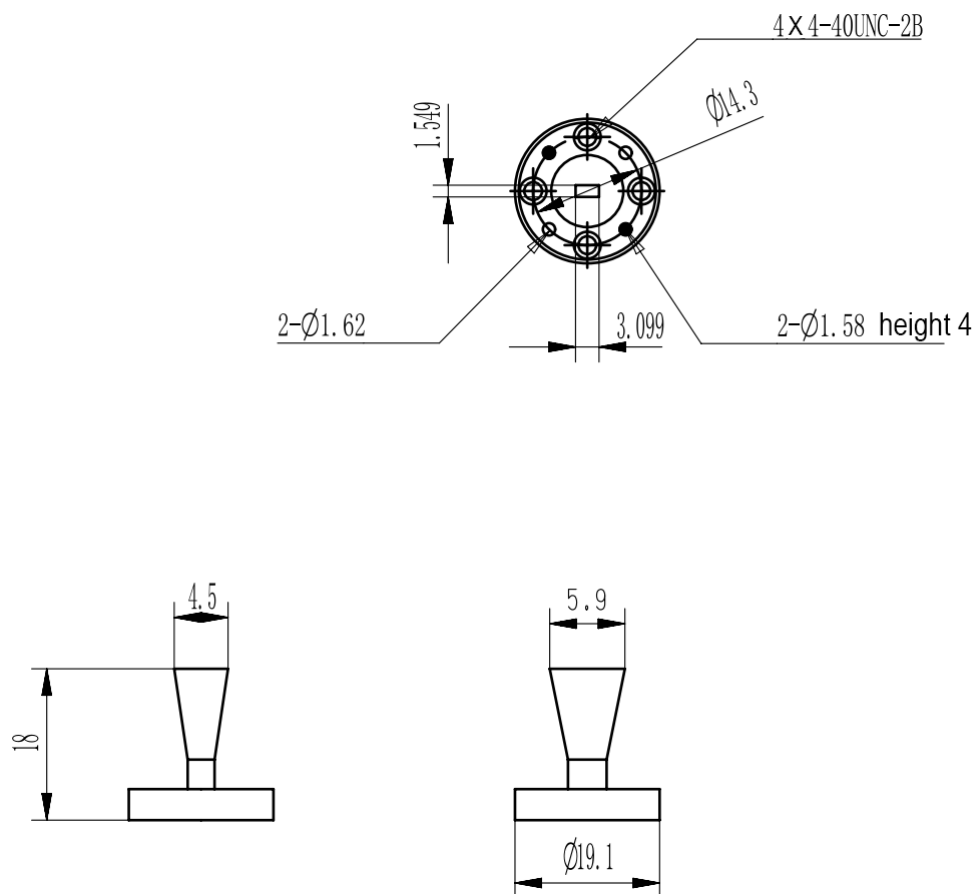
### Electrical

Frequency Range	60.5-91.9 GHz
Norminal Gain	10 dBi
Polarization	Linear
VSWR	1.25 max
3dB Beamwidth	H-Plane: 41.6~58 deg, E-Plane: 38.3~59.6 deg
Operating Temperature	-40°C~+70°C

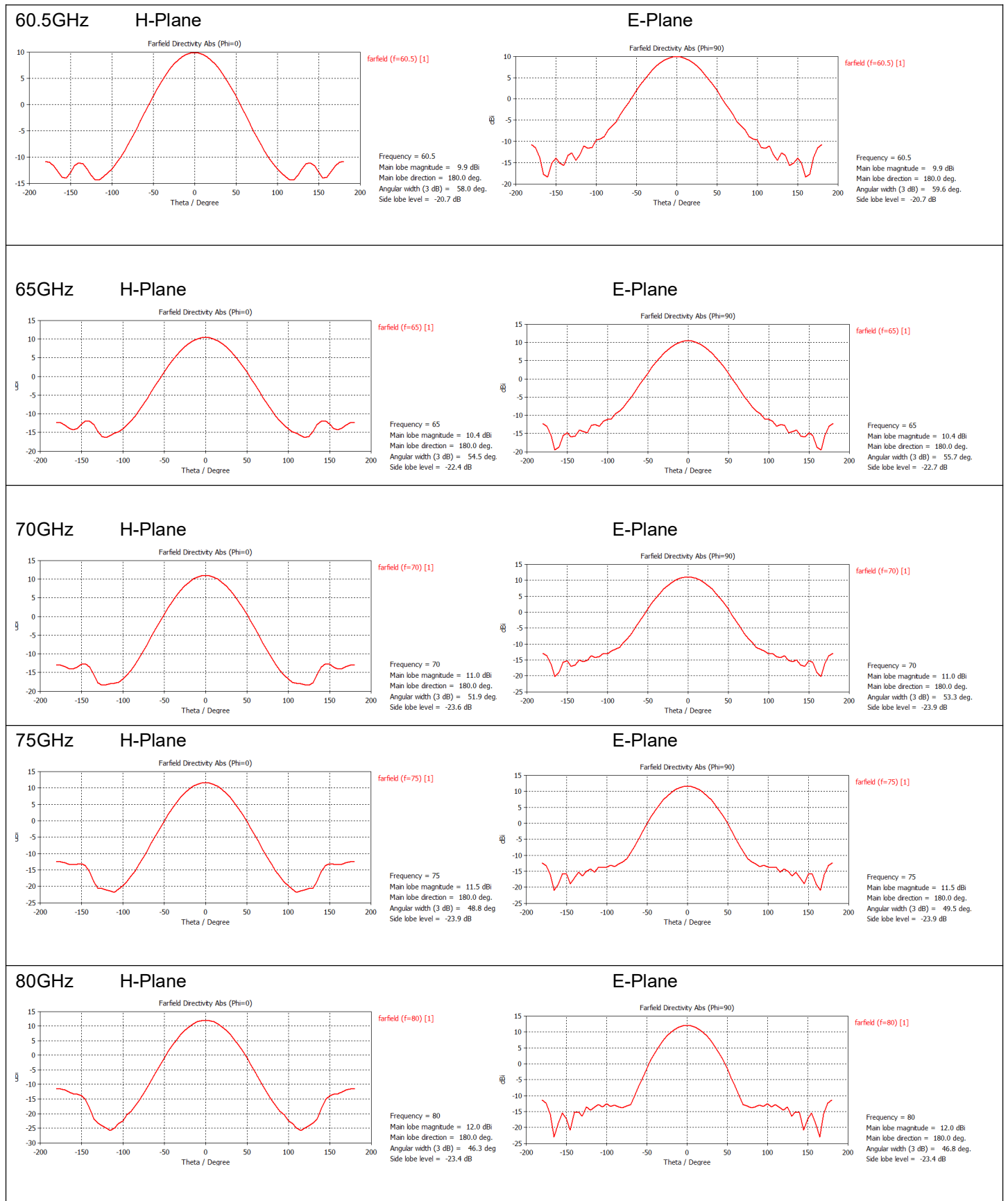
### Mechanical

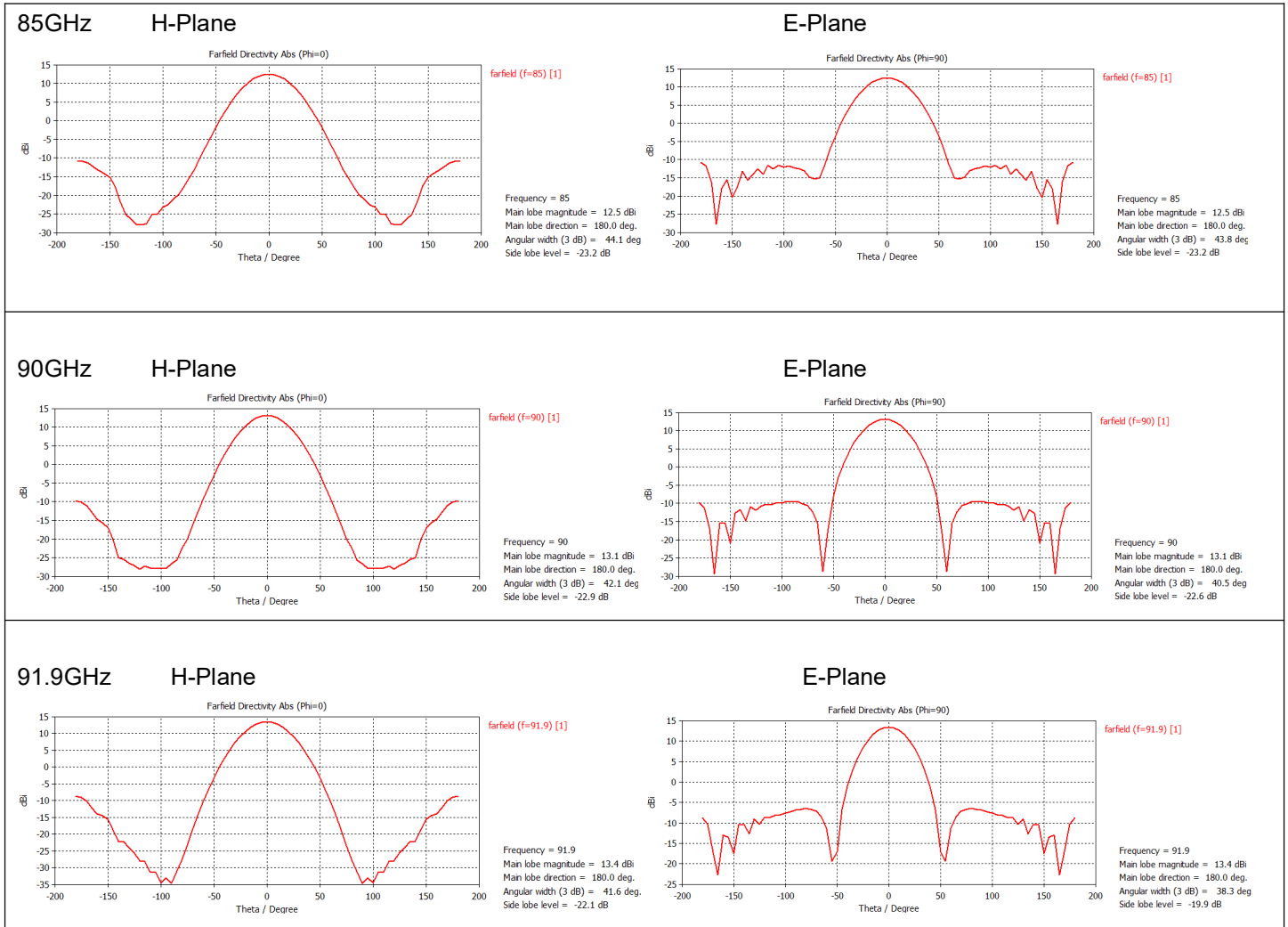
Waveguide Size	WR12
Flange Type	UG387/U-Mod Round Cover Flange
Body Material and Finish	Copper, Gold Plated

### Dimensions(mm)

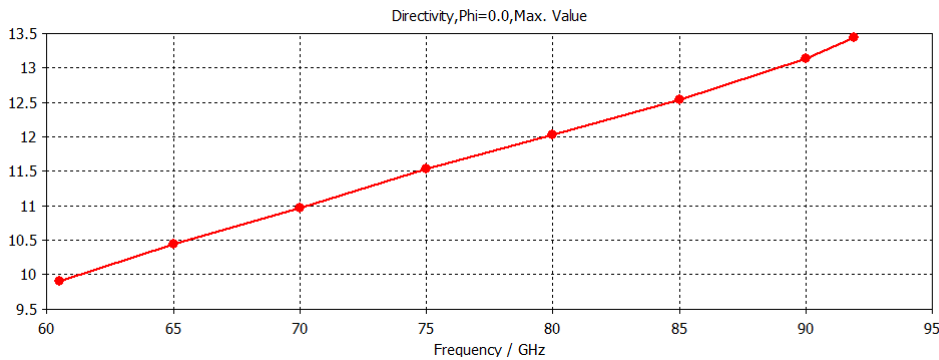


# Simulated Antenna Patterns





### Typical Gain



### Typical VSWR

