



## 20 dBi Gain, 73.8-110 GHz, WR10 Standard Gain Horn with UG387/U-Mod Flange

Rev 2

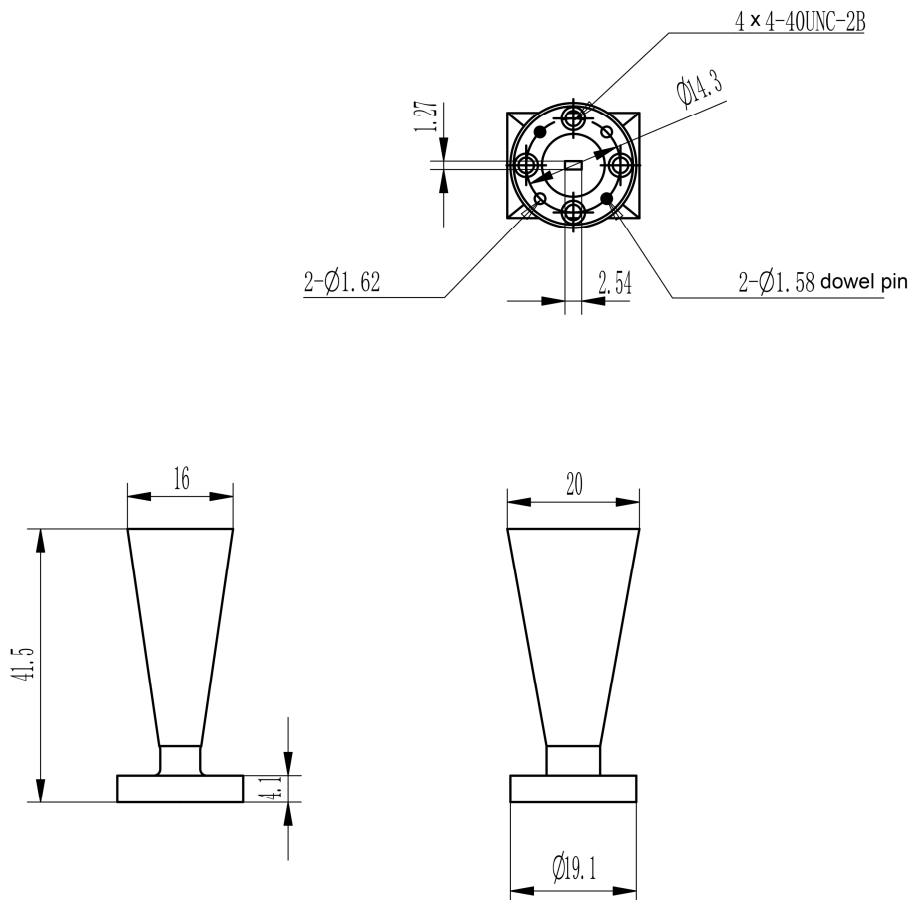
### Electrical

Frequency Range	73.8-110 GHz
Norminal Gain	20 dBi
Polarization	Linear
VSWR	1.2 max
3dB Beamwidth	H-Plane: 12.1~17.3 deg, E-Plane: 11.8~17.5 deg
Operating Temperature	-40°C~+70°C

### Mechanical

Waveguide Size	WR10
Flange Type	UG387/U-Mod Round Cover Flange
Body Material and Finish	Copper, painting over gold plating

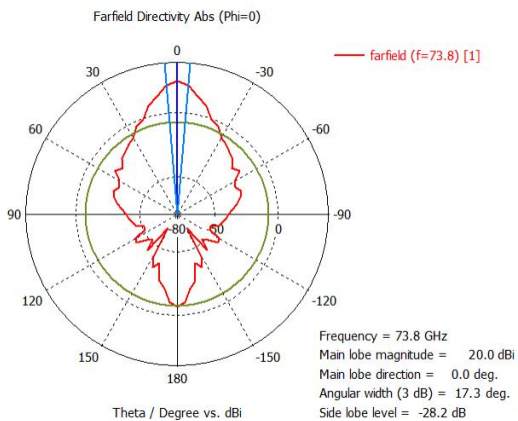
### Dimensions(mm)



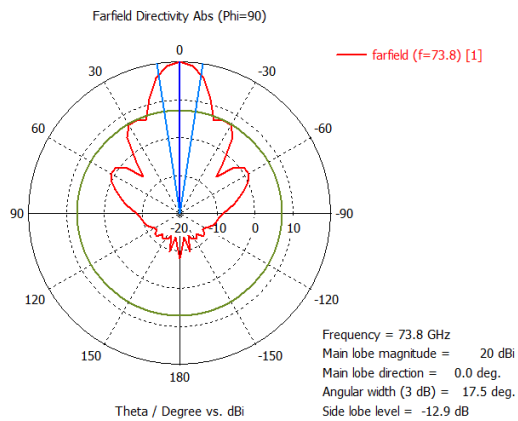
# Simulated Antenna Patterns

73.8GHz

H-Plane

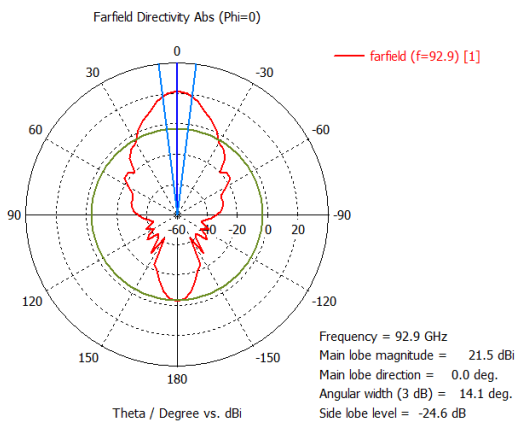


E-Plane

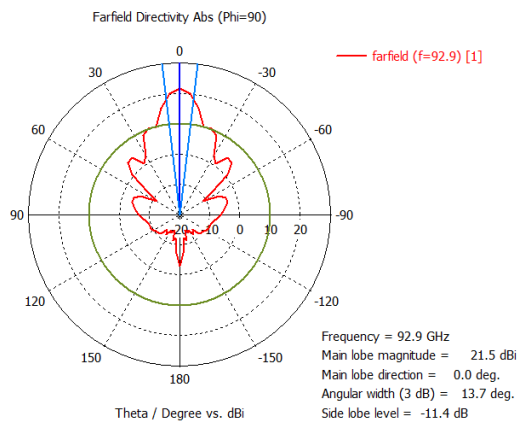


92.9GHz

H-Plane

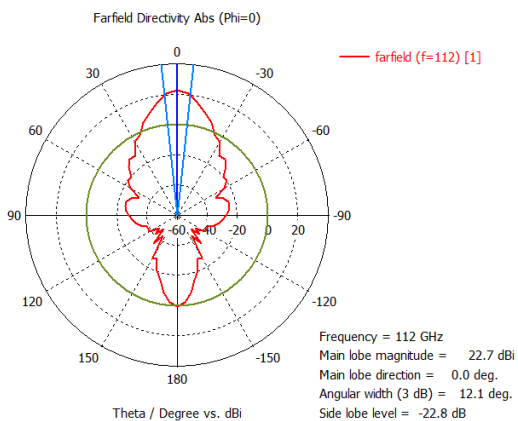


E-Plane



112GHz

H-Plane



E-Plane

