

# Coaxial RF Termination

## RFT40022921A

### DC-40 GHz, 2.92mm Female, 2 Watts



Rev 2

#### Electrical

<b>Impedance</b>	50 ohm
<b>Frequency Range</b>	DC-40 GHz
<b>VSWR</b>	1.2 max
<b>Input Avg Power</b>	2W@25°C ambient, derating linearly to 0.5W at 100°C
<b>Peak Power</b>	200W (5 micro-sec pulse width, 1% duty cycle)

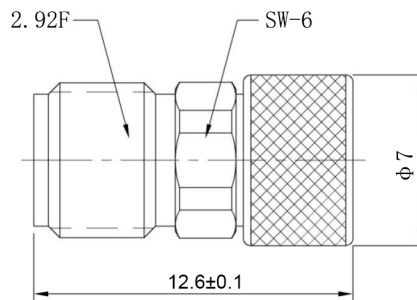
#### Mechanical

<b>Connector Body</b>	Passivated stainless steel
<b>Center Contact</b>	1.27um gold plated BeCu
<b>Weight</b>	Approx 5g

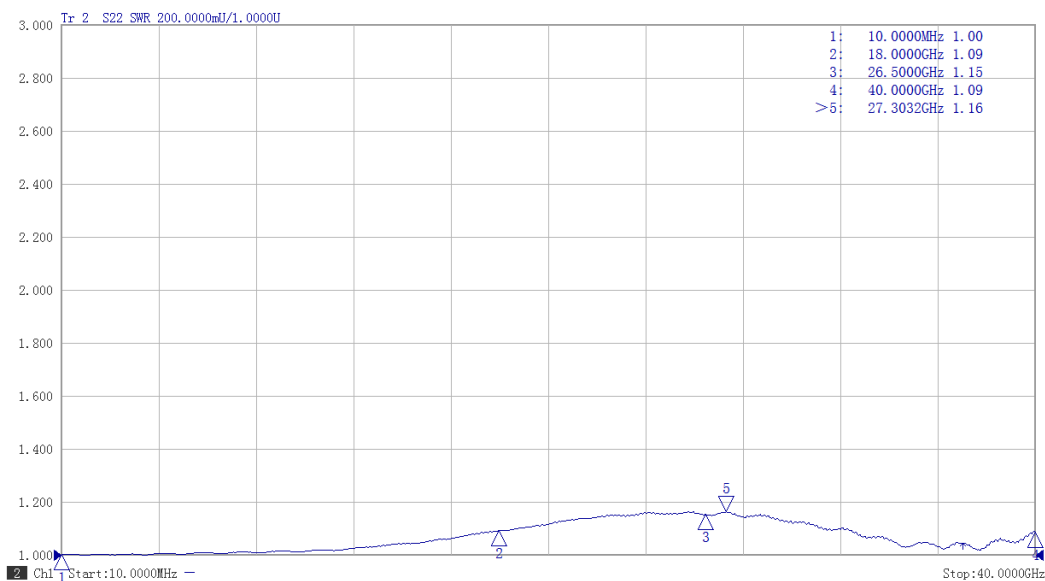
#### Environmental

<b>Operating Temp</b>	-55°C to 100°C
<b>Storage Temp</b>	-55°C to 125°C
<b>RoHS</b>	Compliant

#### Dimensions(mm)



#### Typical Test Data



#### Notes

1. Customized outlines and optimal VSWR available.