



### Electrical

<b>Impedance</b>	50 ohm
<b>Frequency Range</b>	DC-33 GHz
<b>VSWR</b>	1.15 max
<b>Input Avg Power</b>	2W@25°C ambient, derating linearly to 0.5W at 100°C
<b>Peak Power</b>	200W (5 micro-sec pulse width, 1% duty cycle)

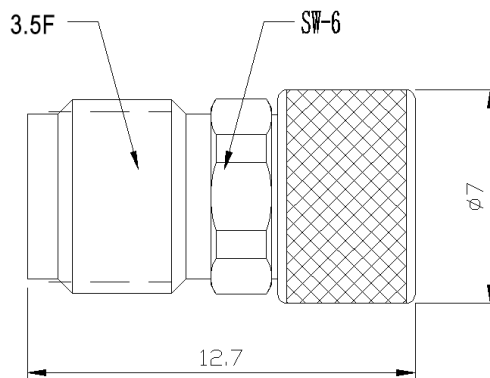
### Mechanical

<b>Connector Body</b>	Passivated stainless steel
<b>Center Contact</b>	1.27um gold plated BeCu
<b>Net Weight</b>	Approx 5g

### Environmental

<b>Operating Temp</b>	-55°C to 100°C
<b>Storage Temp</b>	-55°C to 125°C
<b>RoHS</b>	Compliant

### Dimensions(mm)



### Typical Test Data

