



**Electrical**

|                        |   |
|------------------------|---|
| <b>Impedance</b>       | 50 ohm  |
| <b>Frequency Range</b> | DC-18 GHz   |
| <b>VSWR</b>            | 1.4 max   |
| <b>Input Avg Power</b> | 20W@ 25°C ambient, derating linearly to 2W at 100°C |
| <b>Peak Power</b>      | 800W (5 micro-sec pulse width, 1.25% duty cycle)    |

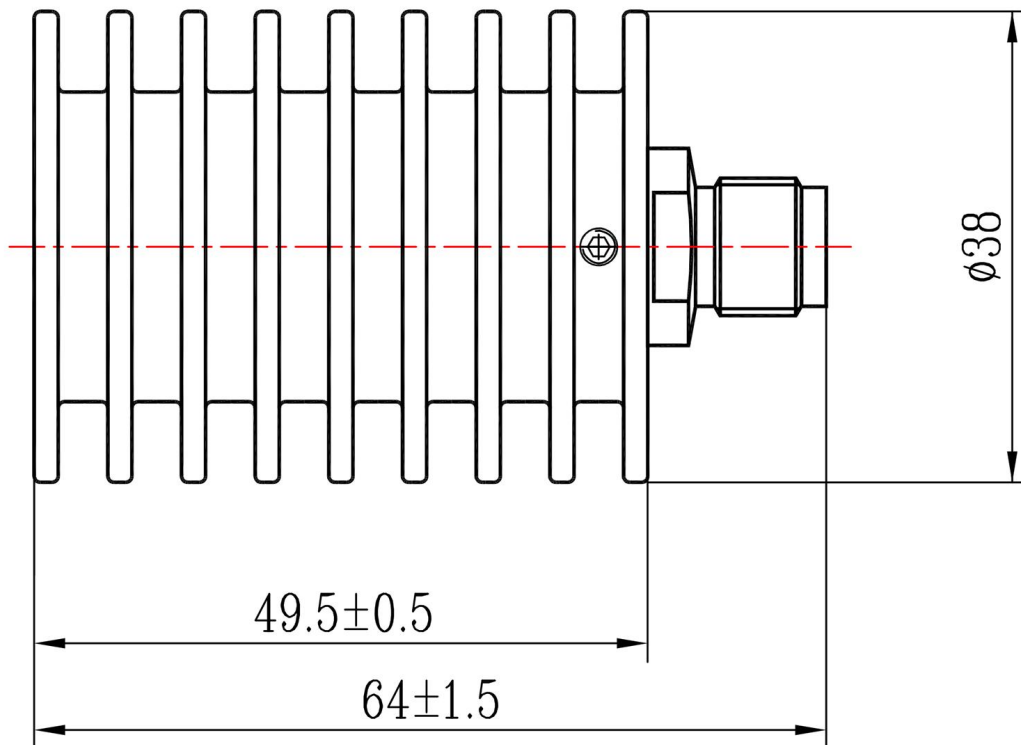
**Mechanical**

|                       |                              |
|-----------------------|------------------------------|
| <b>Connector Body</b> | Ternary alloy plated brass   |
| <b>Center Contact</b> | Gold plated beryllium copper |
| <b>Heat Sink</b>      | Black anodized aluminum      |

**Environmental**

|                       |                |
|-----------------------|----------------|
| <b>Operating Temp</b> | -55°C to 100°C |
| <b>Storage Temp</b>   | -55°C to 125°C |
| <b>RoHS</b>           | Compliant      |

**Dimensions(mm)**



**Notes**

1. Customized outlines and optimal VSWR available.
2. To maintain best performance, recommended to use fan to keep the case temperature under 85°C.