

# Coaxial RF Termination

# RFT06100N2-S

DC-6 GHz, N Male, 100 Watts

Rev 1

### Electrical

|                        |   |
|------------------------|---|
| <b>Impedance</b>       | 50 ohm  |
| <b>Frequency Range</b> | DC-6 GHz  |
| <b>VSWR</b>            | 1.2 max   |
| <b>Input Avg Power</b> | 100W@ 25°C ambient, derating linearly to 10W at 100°C |
| <b>Peak Power</b>      | 1000W (5 micro-sec pulse width, 5% duty cycle)        |

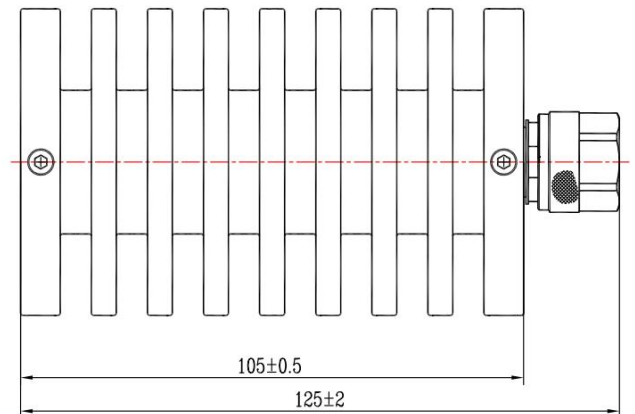
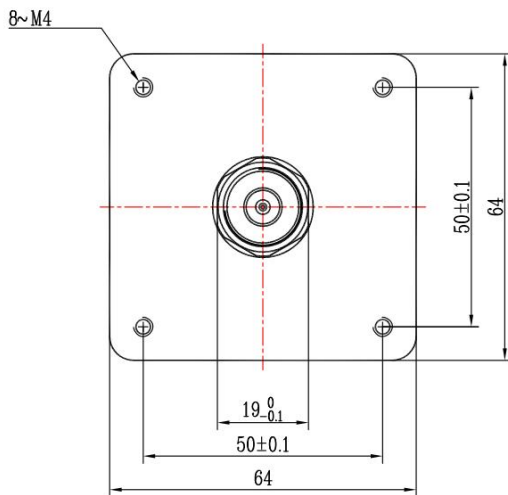
### Mechanical

|                       |                            |
|-----------------------|----------------------------|
| <b>Connector Body</b> | Ternary alloy plated brass |
| <b>Center Contact</b> | Gold plated brass          |
| <b>Heat Sink</b>      | Black anodized aluminum    |

### Environmental

|                       |                |
|-----------------------|----------------|
| <b>Operating Temp</b> | -55°C to 100°C |
| <b>Storage Temp</b>   | -55°C to 125°C |
| <b>RoHS</b>           | Compliant      |

### Dimensions(mm)



### Notes

1. Customized outlines and optimal VSWR available.
2. To maintain best performance, recommended to use fan to keep the case temperature under 85°C.