

Coaxial RF Termination

RFT04100N2-S

DC-4 GHz, N Male, 100 Watts

Rev 1

Electrical

Impedance	50 ohm
Frequency Range	DC-4 GHz
VSWR	1.1 max
Input Avg Power	100W@ 25°C ambient, derating linearly to 10W at 100°C
Peak Power	1000W (5 micro-sec pulse width, 5% duty cycle)

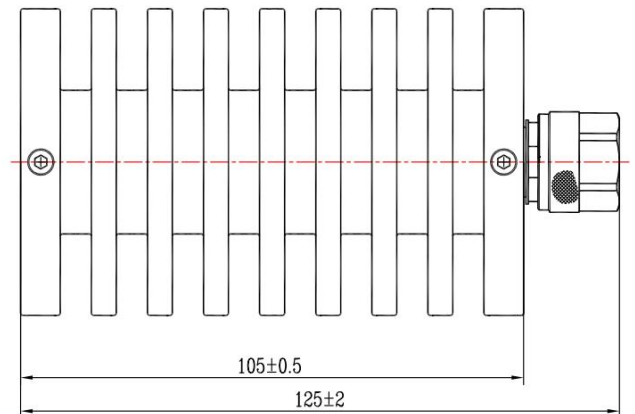
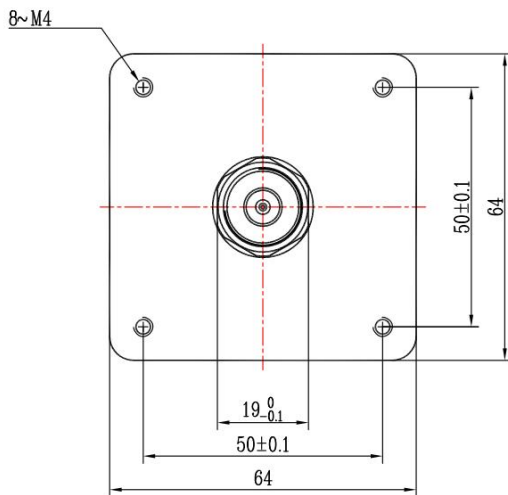
Mechanical

Connector Body	Ternary alloy plated brass
Center Contact	Gold plated brass
Heat Sink	Black anodized aluminum

Environmental

Operating Temp	-55°C to 100°C
Storage Temp	-55°C to 125°C
RoHS	Compliant

Dimensions(mm)



Notes

1. Customized outlines and optimal VSWR available.
2. To maintain best performance, recommended to use fan to keep the case temperature under 85°C.