



Electrical

Impedance	50 ohm				
Frequency Range	DC-18 GHz				
VSWR	1.25 max				
Input Avg Power	5W@ 25°C ambient, derating linearly to 0.5W at 100°C				
Peak Power	500W (5 micro-sec pulse width, 0.5% duty cycle)				
Direction	Bidirectional, SMA female to SMA male (other configurations available)				

Attenuation(dB)	1-10	20	30	40	50, 60
Accuracy(dB)	±0.6	±0.6	±0.7	±0.9	±1.2

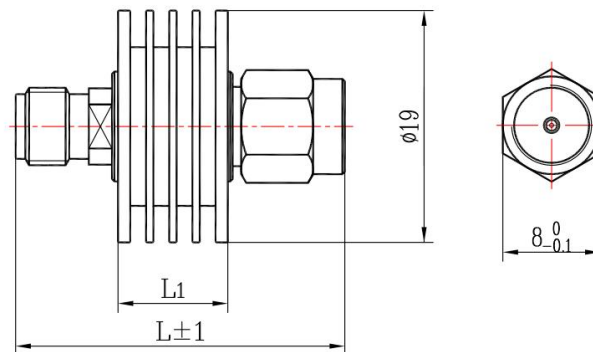
Mechanical

Connector Body	Passivated stainless steel
Heat Sink	Black anodized aluminum
Center Contact	Gold plated beryllium copper/brass
Net Weight	Approx 10 g

Environmental

Operating Temperature	-55°C to 100°C
Storage Temperature	-55°C to 125°C
RoHS	Compliant
Temperature Coefficient	<0.0004 dB/dB/°C

Dimensions(mm)



1-20dB: L1=9, L=27

30-60dB: L1=12, L=30

Notes

- 1.To maintain best performance, recommended to use fan to keep the case temperature under 85°C.
- 2.Customized dB values, outlines and optimal accuracy/VSWR available.

Model Description

RFHB18XXSC5

- 1.XX for dB value: 06=6dB,30=30dB
- 2.Code for connector configuration:
A=female for two ends; B=male for two ends
C=female for one end and male for the other.