

# Coaxial Fixed Attenuator

# RFHB04XXSC25

DC-4 GHz, 1-40 dB, 25 Watts, SMA, Bidirectional



Rev 4

### Electrical

|                        |  |       |       |       |
|------------------------|--|-------|-------|-------|
| <b>Impedance</b>       | 50 ohm   |       |       |       |
| <b>Frequency Range</b> | DC-4 GHz   |       |       |       |
| <b>VSWR</b>            | 1.15 max   |       |       |       |
| <b>Input Avg Power</b> | 25W@ 25°C ambient, derating linearly to 2.5W at 100°C                  |       |       |       |
| <b>Peak Power</b>      | 500W (5 micro-sec pulse width, 2.5% duty cycle)                        |       |       |       |
| <b>Direction</b>       | Bidirectional, SMA female to SMA male (other configurations available) |       |       |       |
| <b>Attenuation(dB)</b> | 1-10   | 11-20 | 21-30 | 31-40 |
| <b>Accuracy(dB)</b>    | ±0.4   | ±0.5  | ±0.6  | ±0.7  |

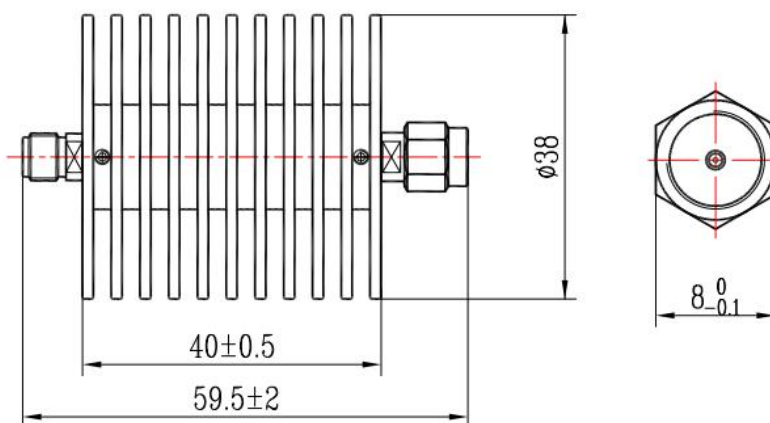
### Mechanical

|                       |                                    |
|-----------------------|------------------------------------|
| <b>Connector Body</b> | Passivated stainless steel         |
| <b>Heat Sink</b>      | Black anodized aluminum            |
| <b>Center Contact</b> | Gold plated beryllium copper/brass |
| <b>Net Weight</b>     | Approx 70 g                        |

### Environmental

|                                |                  |
|--------------------------------|------------------|
| <b>Operating Temperature</b>   | -55°C to 100°C   |
| <b>Storage Temperature</b>     | -55°C to 125°C   |
| <b>RoHS</b>                    | Compliant        |
| <b>Temperature Coefficient</b> | <0.0004 dB/dB/°C |

### Dimensions(mm)



### Notes

- To maintain best performance, recommended to use fan to keep the case temperature under 85°C.
- Customized dB values, outlines and optimal accuracy/VSWR available.

### Model Description

#### RFHB04XXSC25

- XX for dB value: 06=6dB,30=30dB
- Code for connector configuration:  
A=female for two ends; B=male for two ends  
C=female for one end and male for the other.