



Coaxial Fixed Attenuator

RFH18XXND50-D

DC-18 GHz, 1-50 dB, 50 Watts, N, Unidirectional

Rev 3

Electrical

Impedance	50 ohm			
Frequency Range	DC-18 GHz			
VSWR	1.45 max			
Input Avg Power	50W@ 25°C ambient, derating linearly to 5W at 100°C			
Peak Power	800W (5 micro-sec pulse width, 3% duty cycle)			
Direction	Unidirectional, N male input, N female output (other configurations available)			

Attenuation(dB)	1-10	20	30	40,50
Accuracy(dB)	±0.8	±0.9	±1.1	±1.2

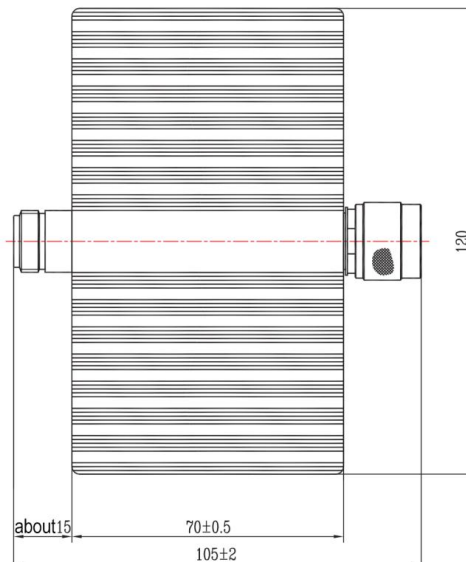
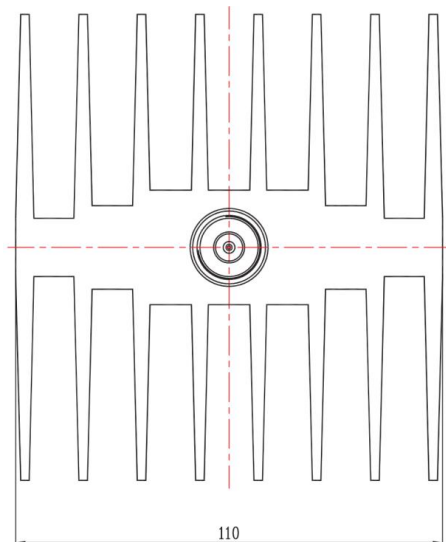
Mechanical

Connector Body	Passivated stainless steel
Heat Sink	Black anodized aluminum
Center Contact	Gold plated beryllium copper/brass
Net Weight	Approx 950 g

Environmental

Operating Temperature	-55°C to 100°C
Storage Temperature	-55°C to 125°C
RoHS	Compliant
Temperature Coefficient	<0.0004 dB/dB/°C

Dimensions(mm)



Notes

1. Always pay attention to the direction of attenuators.
2. To maintain best performance, recommended to use fan to keep the case temperature under 85°C.
3. Customized dB values, outlines and optimal accuracy/VSWR available.

Model Description

RFH18XXND50-D

1. XX for dB value: 06=6dB, 30=30dB
2. Code for connector configuration:
 A=female for two ends; B=male for two ends
 C=female for input and male for output;
 D=male for input and female for output.