



Coaxial Fixed Attenuator

RFH12XXTD50

DC-12.4 GHz, 1-50 dB, 50 Watts, TNC, Unidirectional

Rev 5

Electrical

| | | | | |
|------------------------|--|--|--|--|
| Impedance | 50 ohm | | | |
| Frequency Range | DC-12.4 GHz | | | |
| VSWR | 1.35 max | | | |
| Input Avg Power | 50W@ 25°C ambient, derating linearly to 5W at 100°C | | | |
| Peak Power | 800W (5 micro-sec pulse width, 3% duty cycle) | | | |
| Direction | Unidirectional, TNC male input, TNC female output (other configurations available) | | | |

| | | | | |
|------------------------|------|------|------|-------|
| Attenuation(dB) | 1-10 | 20 | 30 | 40-50 |
| Accuracy(dB) | ±0.6 | ±0.7 | ±0.8 | ±1.0 |

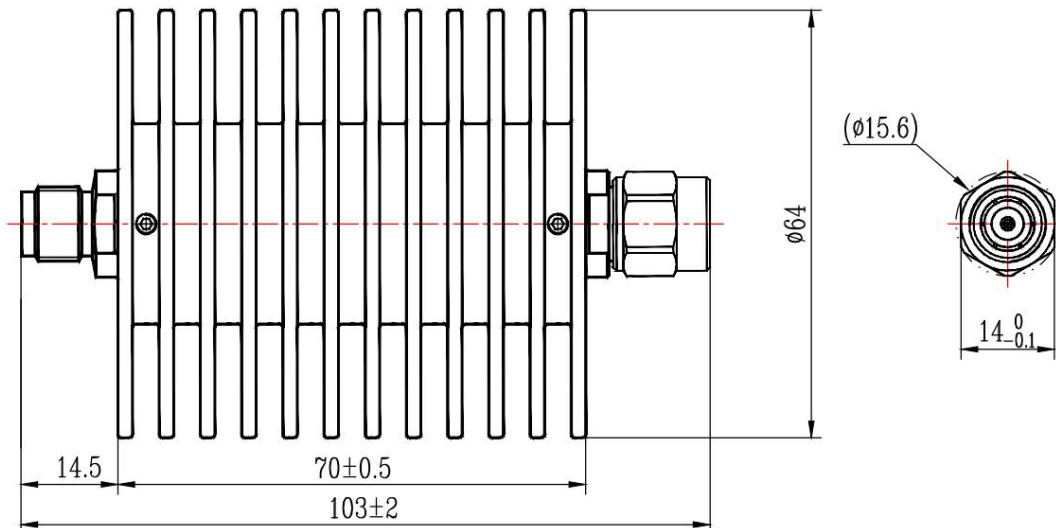
Mechanical

| | |
|-----------------------|------------------------------------|
| Connector Body | Ternary alloy plated brass |
| Heat Sink | Black anodized aluminum |
| Center Contact | Gold plated beryllium copper/brass |
| Net Weight | Approx 315 g |

Environmental

| | |
|--------------------------------|------------------|
| Operating Temperature | -55°C to 100°C |
| Storage Temperature | -55°C to 125°C |
| RoHS | Compliant |
| Temperature Coefficient | <0.0004 dB/dB/°C |

Dimensions(mm)



Notes

1. Always pay attention to the direction of attenuators.
2. To maintain best performance, recommended to use fan to keep the case temperature under 85°C.
3. Customized dB values, outlines and optimal accuracy/VSWR available.

Model Description

RFH12XXTD50

1. XX for dB value: 06=6dB, 30=30dB
2. Code for connector configuration:
 A=female for two ends; B=male for two ends
 C=female for input and male for output;
 D=male for input and female for output.