



Coaxial Fixed Attenuator

RFH06XXND100-D

DC-6 GHz, 1-60 dB, 100 Watts, N, Unidirectional

Rev 4

Electrical

Impedance	50 ohm					
Frequency Range	DC-6 GHz					
VSWR	1.25 max					
Input Avg Power	100W@ 25°C ambient, derating linearly to 10W at 100°C					
Peak Power	1kW (5 micro-sec pulse width, 5% duty cycle)					
Direction	Unidirectional, N male input, N female output (other configurations available)					

Attenuation(dB)	1-4	6-10	20	30	40	50,60
Accuracy(dB)	+1.0/-0	±0.8	±0.8	±0.9	±0.9	±1.0

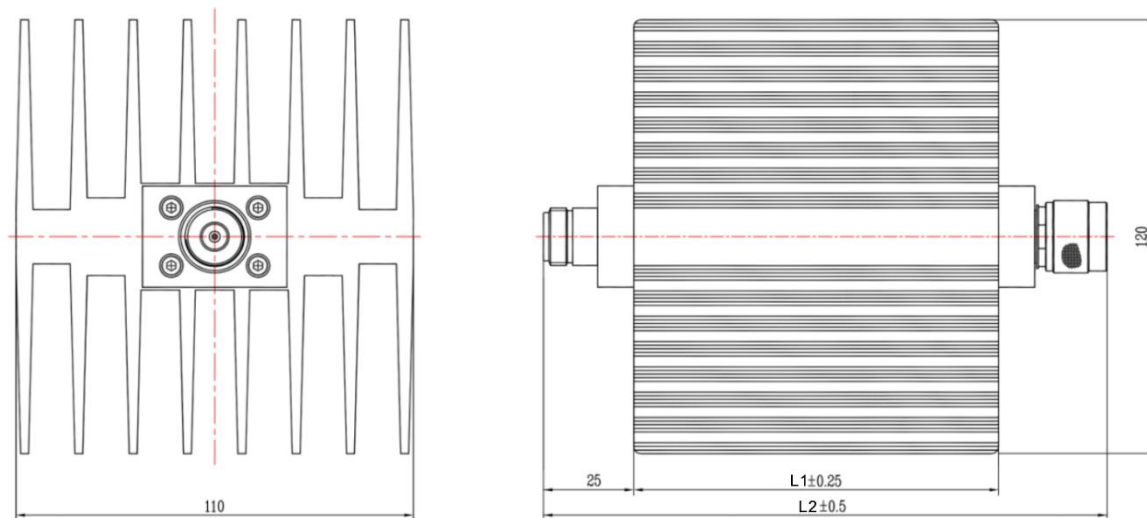
Mechanical

Connector Body	Ternary alloy plated brass
Heat Sink	Black anodized aluminum
Center Contact	Gold plated beryllium copper/brass
Net Weight	Approx 1450 g

Environmental

Operating Temperature	-55°C to 100°C
Storage Temperature	-55°C to 125°C
RoHS	Compliant
Temperature Coefficient	<0.0004 dB/dB/°C

Dimensions(mm)



1-4dB: L1=70, L2=105

6-60dB: L1=101, L2=156

Notes

1. Always pay attention to the direction of attenuators.
2. To maintain best performance, recommended to use fan to keep the case temperature under 85°C.
3. Customized dB values, outlines and optimal accuracy/VSWR available.

Model Description

RFH06XXND100-D

1. XX for dB value: 06=6dB, 30=30dB
2. Code for connector configuration:
 A=female for two ends; B=male for two ends
 C=female for input and male for output;
 D=male for input and female for output.