



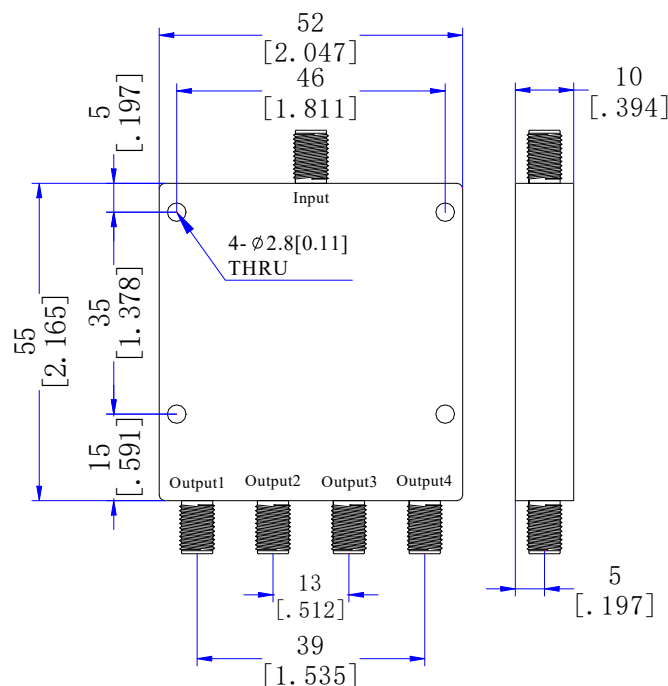
Electrical & Environmental

Impedance	50 ohm
Number of Output Ports	4 Way
Frequency Range	2-18 GHz
Insertion Loss	≤1.6dB (Excluding theoretical loss 6.0dB)
Input VSWR	1.5 max
Output VSWR	1.4 max
Isolation	18dB min
Amplitude Balance	≤ ±0.4dB
Phase Balance	≤ ±6°
Average Power Rating	20 Watts (As Divider), 1 Watts (As Combiner)
Operating Temperature	-45°C ~ +85°C

Mechanical

Input/Output Connectors	SMA Female
Housing Finishing	Painted Aluminum
Outline Dimensions	55*52*10 (mm)
Weight	80g

Dimensions(Unit: mm/[inch], Tolerance: ±0.3mm)





Typical Test Data

