

# Power Divider

# PDM-0206-S4

4 Way, 2-6 GHz, SMA, 30 Watts



Rev 1

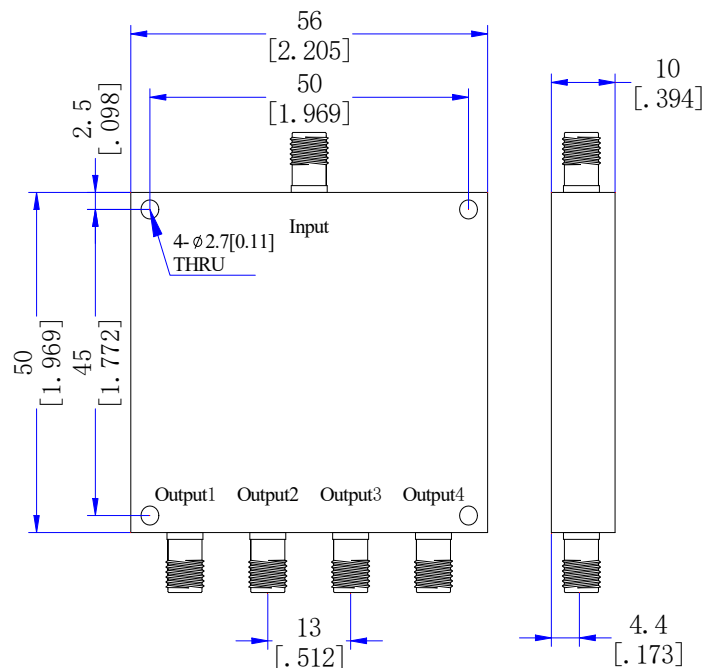
## Electrical & Environmental

|                        |  |
|------------------------|--|
| Impedance              | 50 ohm                                       |
| Number of Output Ports | 4 Way  |
| Frequency Range        | 2-6 GHz                                      |
| Insertion Loss         | ≤ 0.8dB (Excluding theoretical loss 6.0dB)   |
| Input VSWR             | 1.25 max                                     |
| Output VSWR            | 1.2 max                                      |
| Isolation              | 20dB min                                     |
| Amplitude Balance      | ≤ ±0.3dB                                     |
| Phase Balance          | ≤ ±3°  |
| Average Power Rating   | 30 Watts (As Divider), 2 Watts (As Combiner) |
| Operating Temperature  | -45°C ~ +85°C                                |

## Mechanical

|                         |                  |
|-------------------------|------------------|
| Input/Output Connectors | SMA Female       |
| Housing Finishing       | Painted Aluminum |
| Outline Dimensions      | 50*56*10 (mm)    |
| Weight                  | Approx 64g       |

Dimensions(Unit: mm/[inch], Tolerance: ±0.3mm)





### Typical Test Data

