



3.0 -18 GHz High Pass Filter

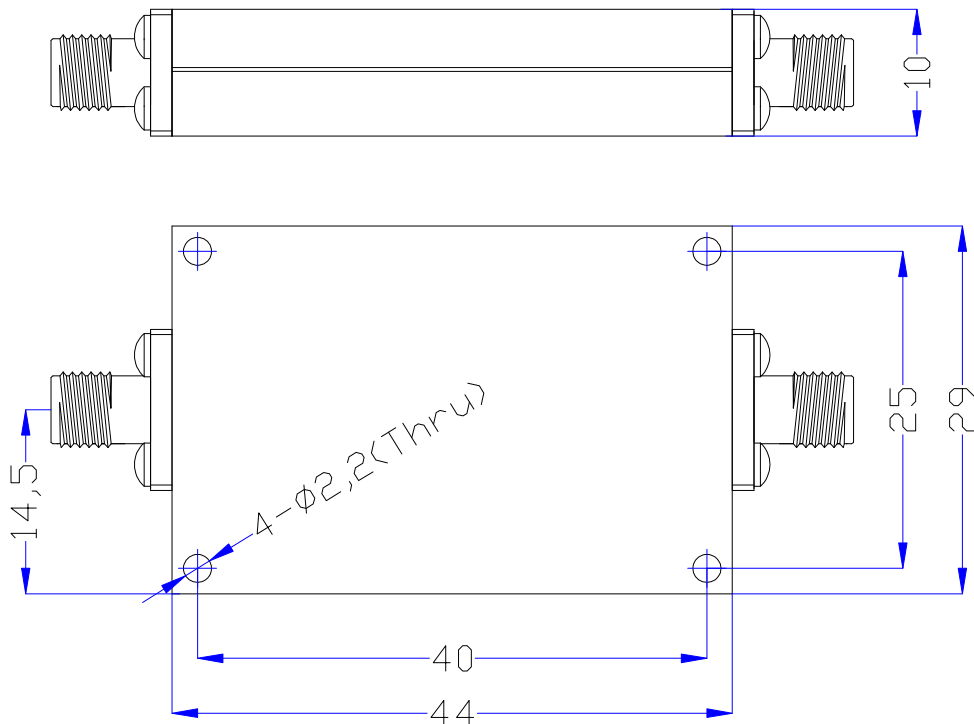
HPF-3DGS1

RVA 1

Specifications

1	Cut Off Frequency	3.0 GHz
2	Pass Band Frequency	3.0~18GHz
3	Pass Band Insertion Loss	≤1.6dB @ 3.0~3.2GHz ≤1.0dB @ 3.2~18GHz
4	Pass Band VSWR	≤1.5:1
5	Stop Band Attenuation	≥60dB @ DC~2.6GHz
6	Impedance	50 ohms
7	Power	≤15W
8	Connectors	Passivated Stainless Steel SMA-Female
9	Surface Finish	Black Paint
10	Temperature Range	-55℃ ~ +85℃
11	Net weight	About 40 g

Dimensions (Unit: mm)





3.0 -18 GHz High Pass Filter

HPF-3DGS1

RVA 1

Typical Test Data

