



2.75 -16 GHz High Pass Filter

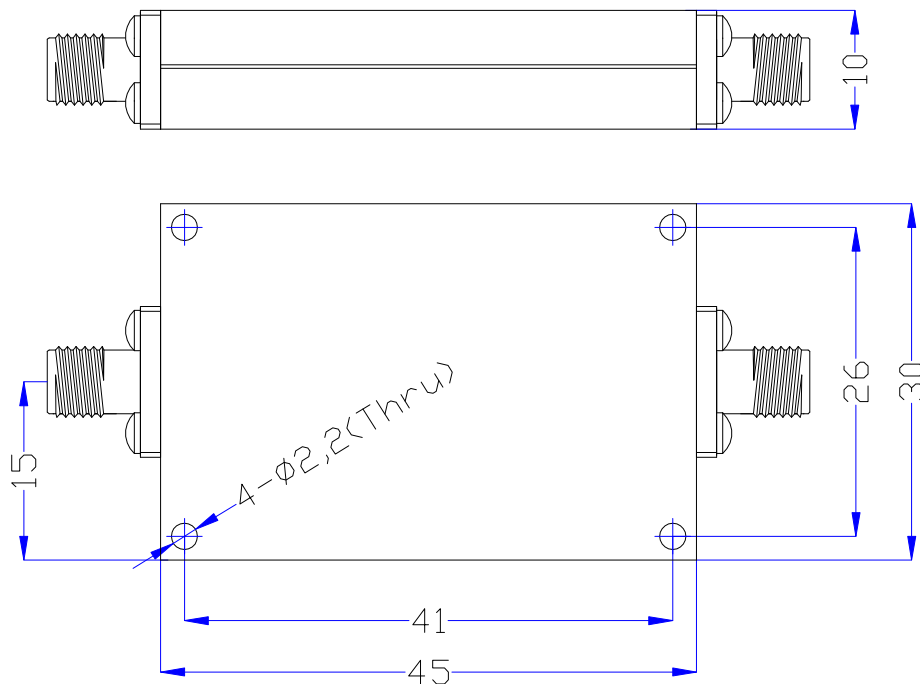
HPF-2D75GS1

RVA 1

Specifications

1	Pass Band Frequency	2.75 ~16 GHz
2	Pass Band Insertion Loss	$\leq 2.0\text{dB}$ @ 2.75 ~2.95GHz $\leq 1.0\text{dB}$ @ 2.95 ~16GHz
3	Pass Band VSWR	≤ 1.5
4	Stop Band Attenuation	$\geq 60\text{dB}$ @ DC ~2.36GHz
5	Impedance	50 ohms
6	Power	$\leq 15\text{W}$
7	Connectors	SMA-Female
8	Surface Finish	Black Paint
9	Temperature Range	$-55^{\circ}\text{C} \sim +85^{\circ}\text{C}$
10	Weight	Approx 45 g

Dimensions (Unit: mm)





2.75 -16 GHz High Pass Filter

HPF-2D75GS1

RVA 1

Typical Test Data

