



1.0 -12.8 GHz High Pass Filter

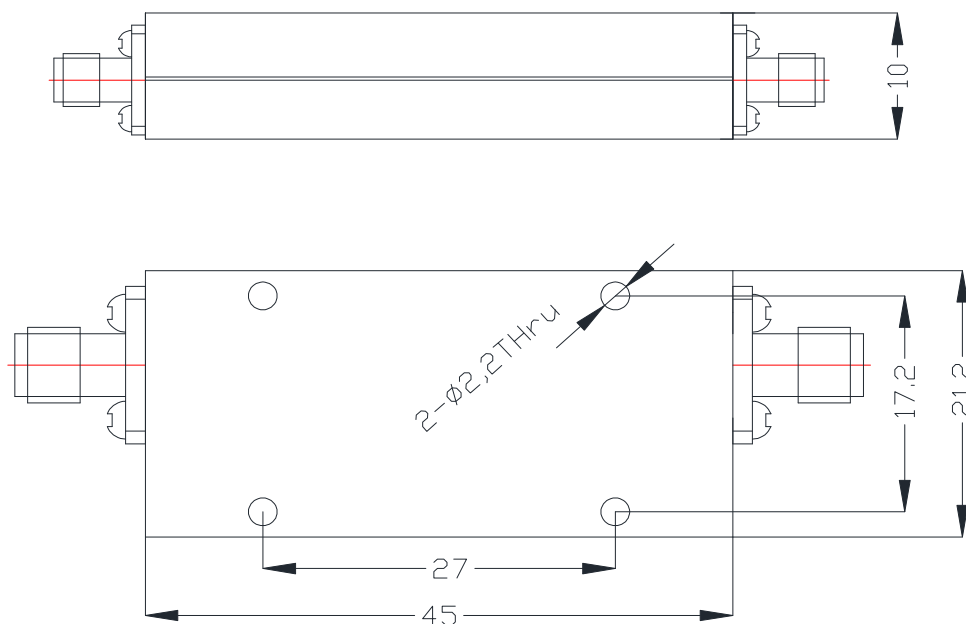
HPF-1GS10

RVA 2

Specifications

1	Pass Band Frequency	1.0~12.8GHz
2	Pass Band Insertion Loss	≤1.0dB
3	Return Loss	≥12dB
4	Stop Band Frequency	DC-800MHz
5	Stop Band Attenuation	≥40dB
6	Impedance	50 ohms
7	Power	≤15W
8	Connectors	SMA-Female
9	Surface Finish	Black Paint
10	Temperature Range	0°C ~ +55°C

Dimensions (Unit: mm)





1.0 -12.8 GHz High Pass Filter

HPF-1GS10

RVA 2

Typical test data

