



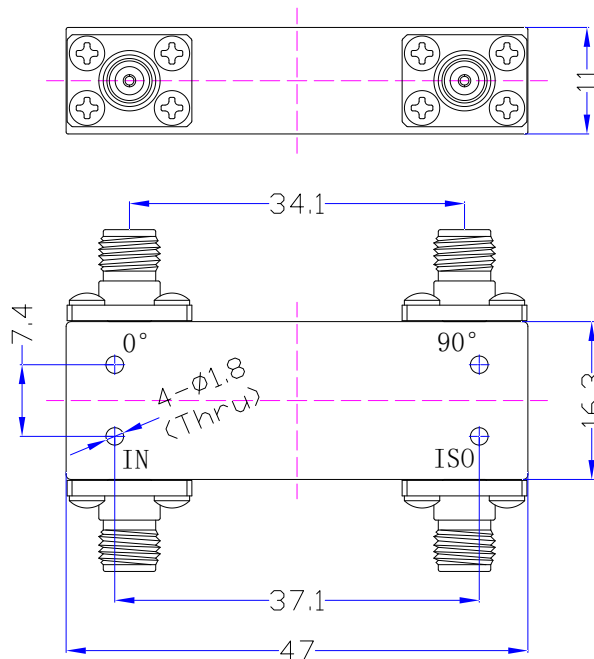
Electrical & Environmental

Frequency Range	2-18GHz
Phase Difference	90°
Nominal Split	3.01dB
Insertion Loss	≤1.2dB
VSWR	≤1.5
Amplitude Balance	≤±0.7dB
Phase Balance	≤±7°
Isolation	≥18dB
Impedance	50 Ohms
Power Handling	20W max
Operating temperature	-40°C ~ +85°C

Mechanical

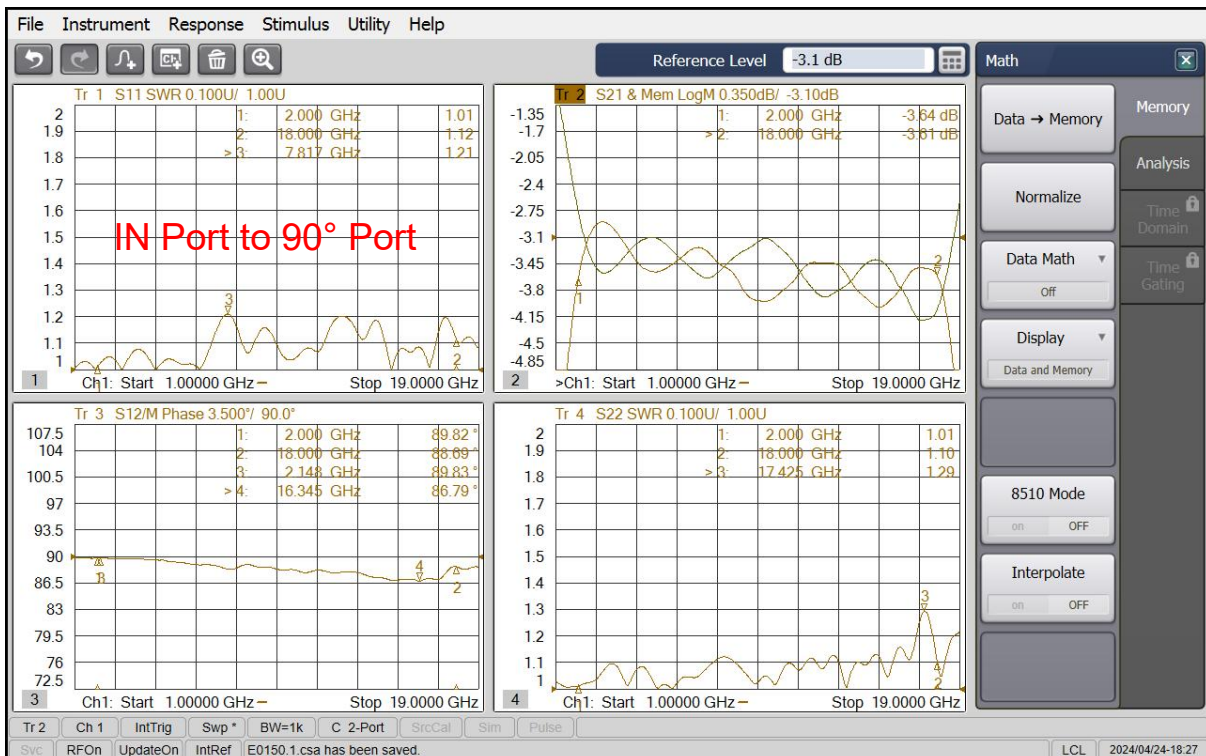
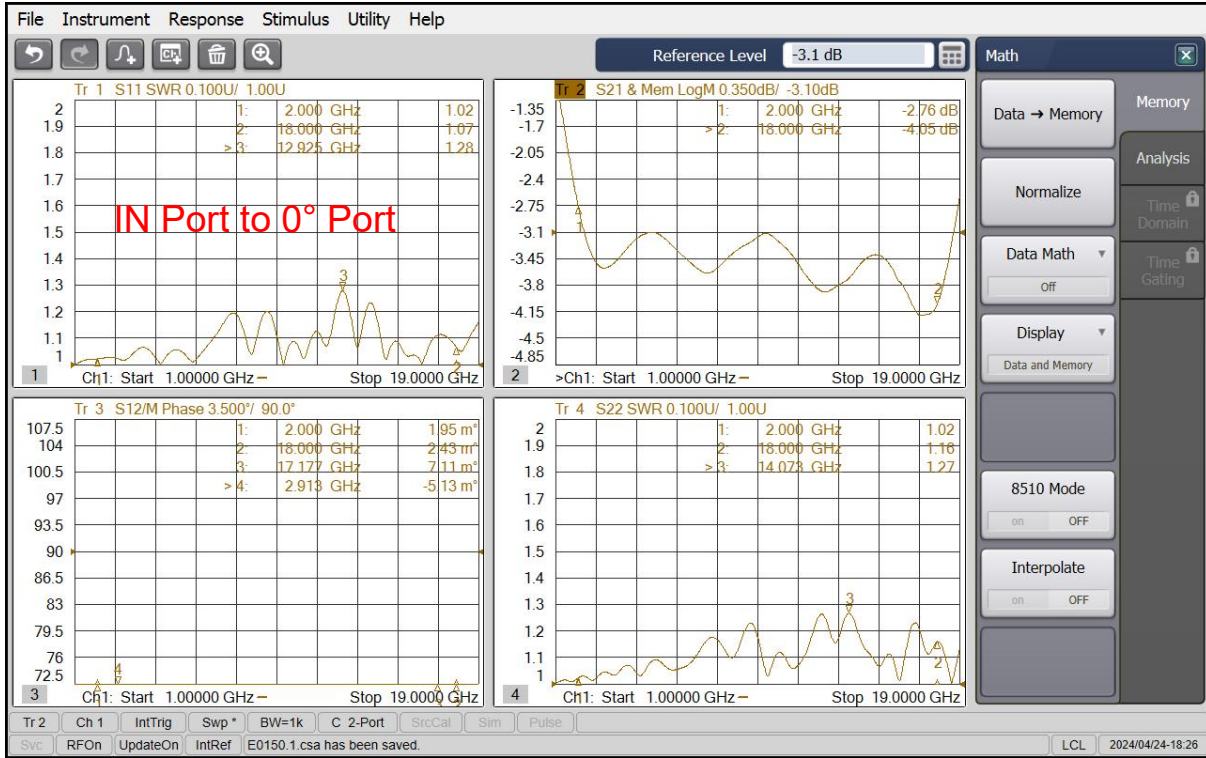
Connector	SMA female
Housing	Black painting, aluminum alloy housing
Net weight	35g

Dimensions(Unit: mm/[inch], Tolerance: ±0.5mm)





Typical Test Data





Typical Test Data

