

HC00501-S

3dB 90 Degree Hybrid Coupler, 0.5GHz to 1GHz, SMA Female, 50 Watt



Rev 1

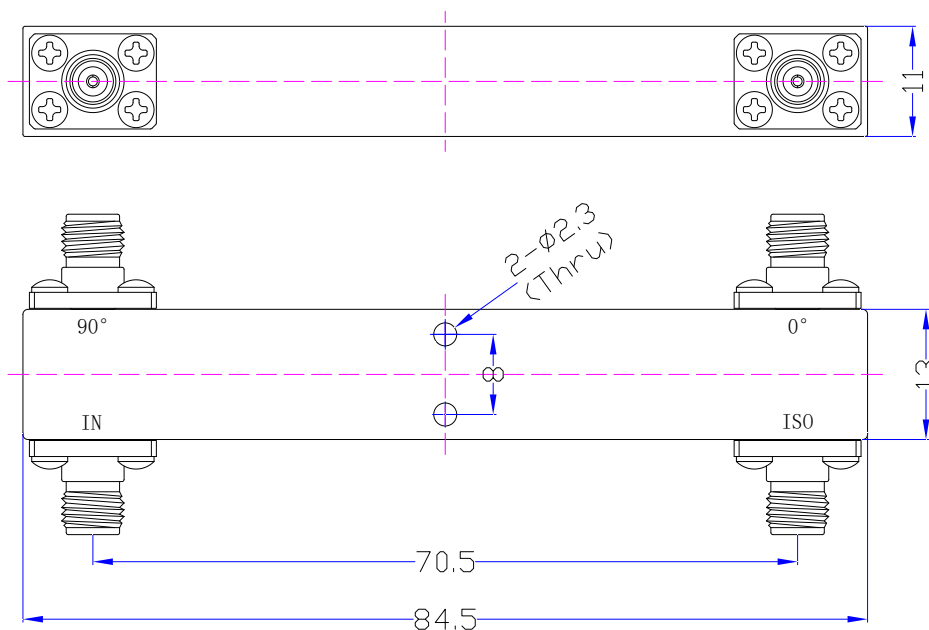
Electrical & Environmental

Frequency Range	0.5-1GHz
Phase Difference	90°
Nominal Split	3.01dB
Insertion Loss	≤0.3dB
VSWR	≤1.2
Amplitude Balance	≤±0.5dB
Phase Balance	≤±2°
Isolation	≥22dB
Impedance	50 Ohms
Power Handling	50W max
Operating temperature	-40°C ~ +85°C

Mechanical

Connector	SMA female
Housing	Gray painting, aluminum alloy housing
Net weight	45g

Dimensions(Unit: mm/[inch], Tolerance: ±0.5mm)





Typical Test Data

