

**WRD475 to N Female Waveguide to Coaxial Adapter  
Rectangular Cover Flange, Right Angle**

Rev 5

**Electrical**

Frequency Range	4.75-11 GHz
VSWR	1.3 max
Average Power	200 Watts

**Configuration**

Waveguide Size	WRD475
Flange	Cover Flange, FPWRD475
Coax Connector	N Female
Body Geometry	Right Angle

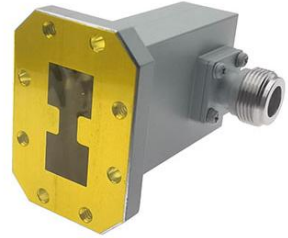
**Mechanical & Environmental**

Waveguide Body	Aluminum, conductive oxidation, anti-corrosive paint
Connector Body	Passivated stainless steel
Center Contact	Gold plated beryllium copper
Operating Temperature	-40°C to +85°C
Connector Interface	MIL-STD-348
RoHS	Compliant under exemptions 6 (b) or 6 (c)
Net Weight	Approx 110g

**Note**

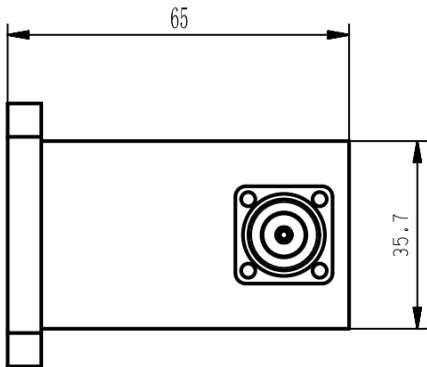
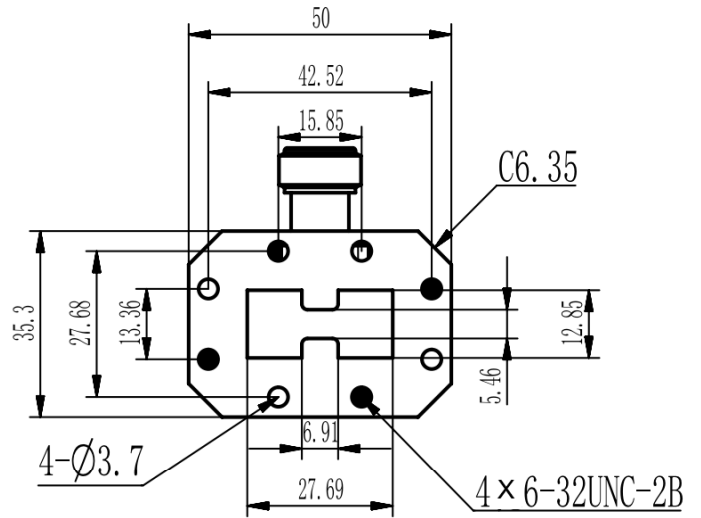
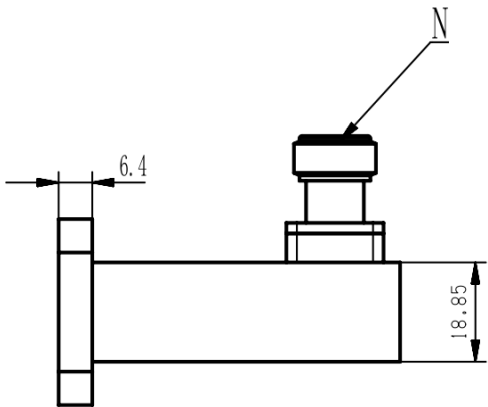
\* Paint in grey or black by default, other colors available.

**WRD475 to N Female Waveguide to Coaxial Adapter  
Rectangular Cover Flange, Right Angle**



Rev 5

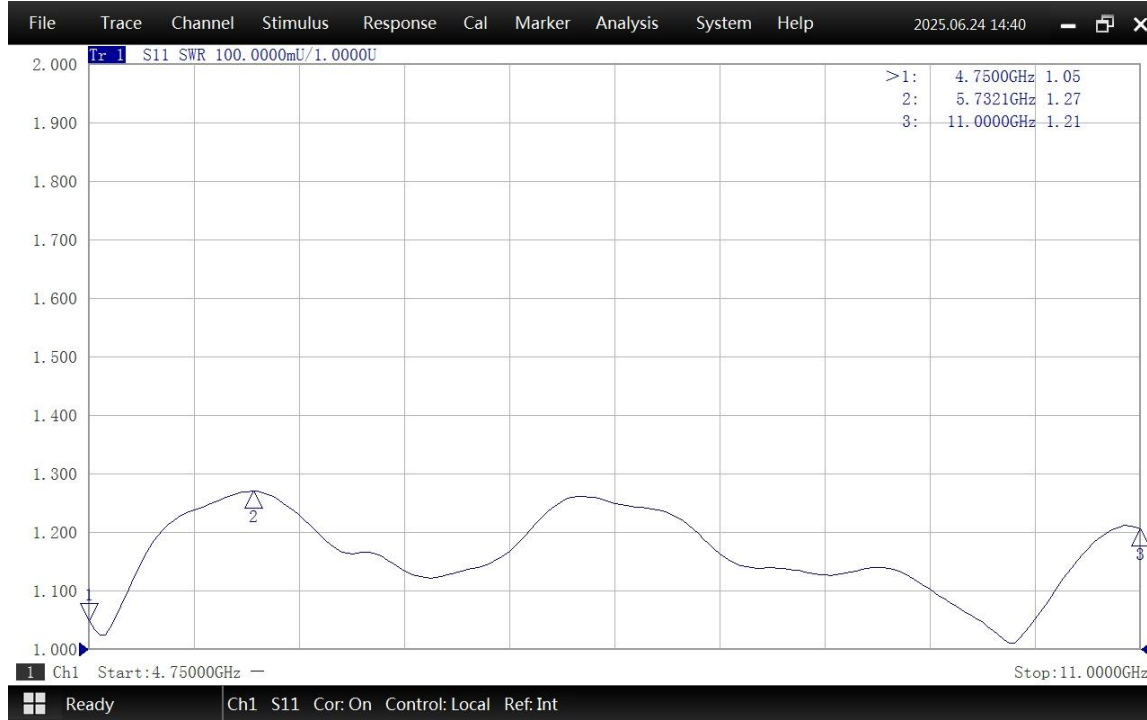
**Dimensions(mm)**



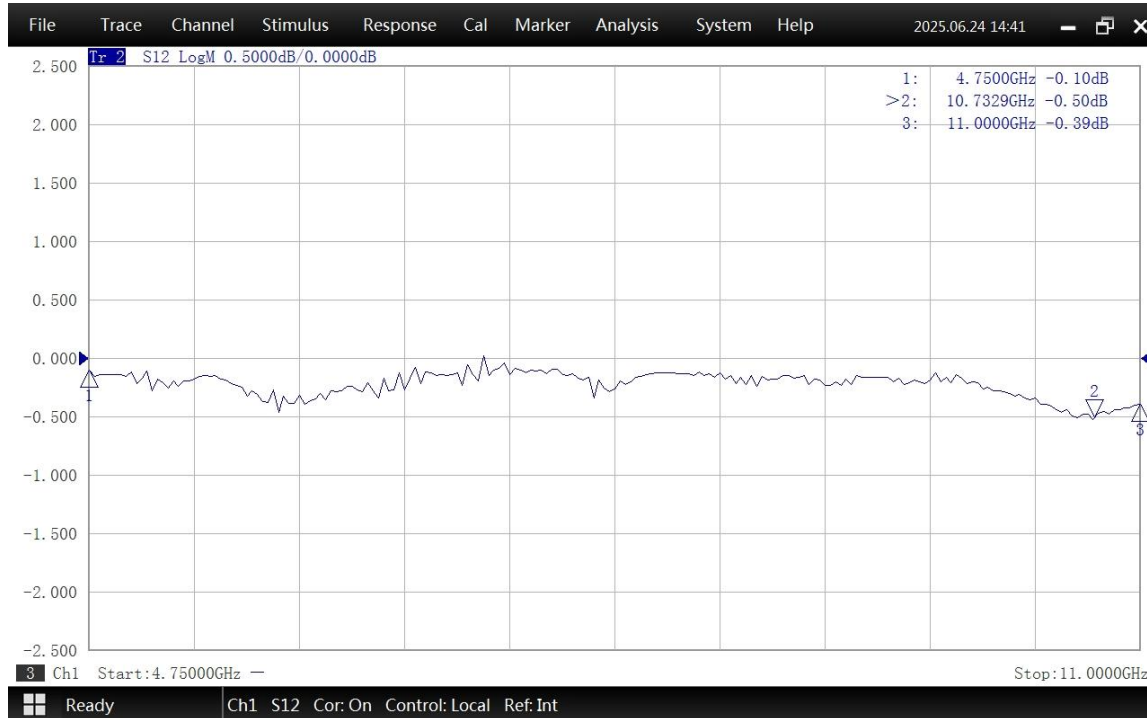


**WRD475 to N Female Waveguide to Coaxial Adapter  
Rectangular Cover Flange, Right Angle**

**Typical Test Data at 25°C**



VSWR



Insertion Loss\*

\* In Insertion Loss (IL) testing, adapters are measured back-to-back. To obtain the loss of a single adapter, divide the measured value by two.