



**WRD250 to N Female Waveguide to Coaxial Adapter
Rectangular Cover Flange, Right Angle**

Rev 5

Electrical

Frequency Range	2.6-7.8 GHz
VSWR	1.3 max
Average Power	150 Watts

Configuration

Waveguide Size	WRD250
Flange	Rectangular Cover, FPWRD250
Coax Connector	N Female
Body Geometry	Right Angle

Mechanical & Environmental

Waveguide Body	Aluminum, conductive oxidation, anti-corrosive paint
Connector Body	Passivated stainless steel
Center Contact	Gold plated beryllium copper
Operating Temperature	-40°C to +85°C
Connector Interface	MIL-STD-348
RoHS	Compliant under exemptions 6 (b) or 6 (c)
Net Weight	Approx 360g

Note

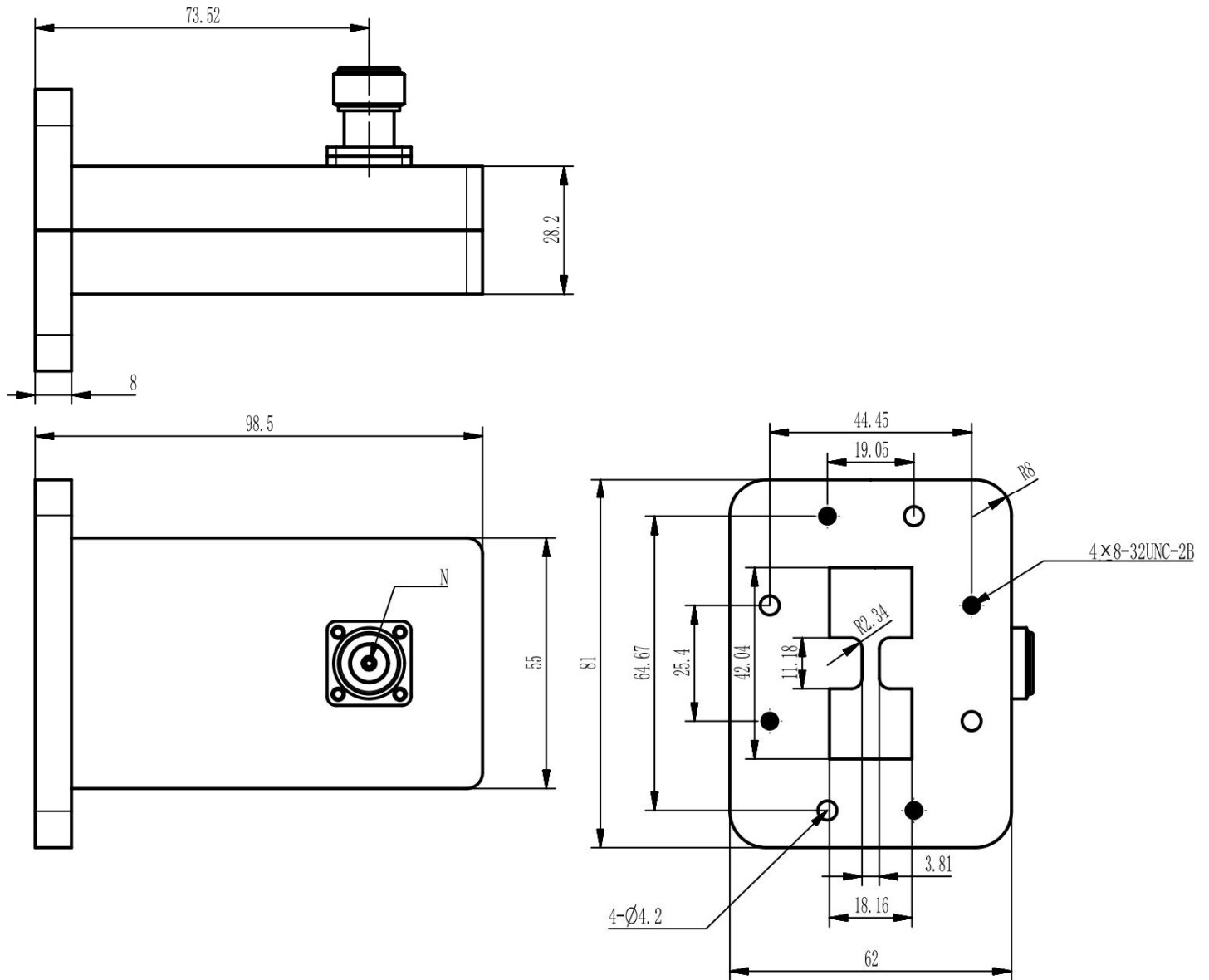
* Paint in grey or black by default, other colors available.

**WRD250 to N Female Waveguide to Coaxial Adapter
Rectangular Cover Flange, Right Angle**



Rev 5

Dimensions(mm)





**WRD250 to N Female Waveguide to Coaxial Adapter
Rectangular Cover Flange, Right Angle**

Rev 5

Typical Test Data at 25°C

