


**WR650 to N Female Waveguide to Coaxial Adapter
UDR14 Flange, Right Angle**

Rev 5

Electrical

Frequency Range	1.13-1.73 GHz
VSWR	1.2 max

Configuration

Waveguide Size	IEC	R14
	EIA	WR650
Flange	IEC	UDR14
	North America	Al alloy: M3922/52-002(UG1720/U) Cu alloy: M3922/52-001(UG1714/U) CPR650F
Coax Connector	N Female	
Body Geometry	Right Angle	

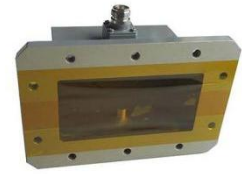
Mechanical & Environmental

Waveguide Body	Aluminum, conductive oxidation, anti-corrosive paint
Connector Body	Passivated stainless steel
Center Contact	Gold plated beryllium copper
Operating Temperature	-40°C to +85°C
Connector Interface	MIL-STD-348
RoHS	Compliant under exemptions 6 (b) or 6 (c)
Net Weight	Approx 2.2kg

Note

* Flange size may not be 100% identical with the above listed standards, but are compatible. Refer to the next page for comparison table.

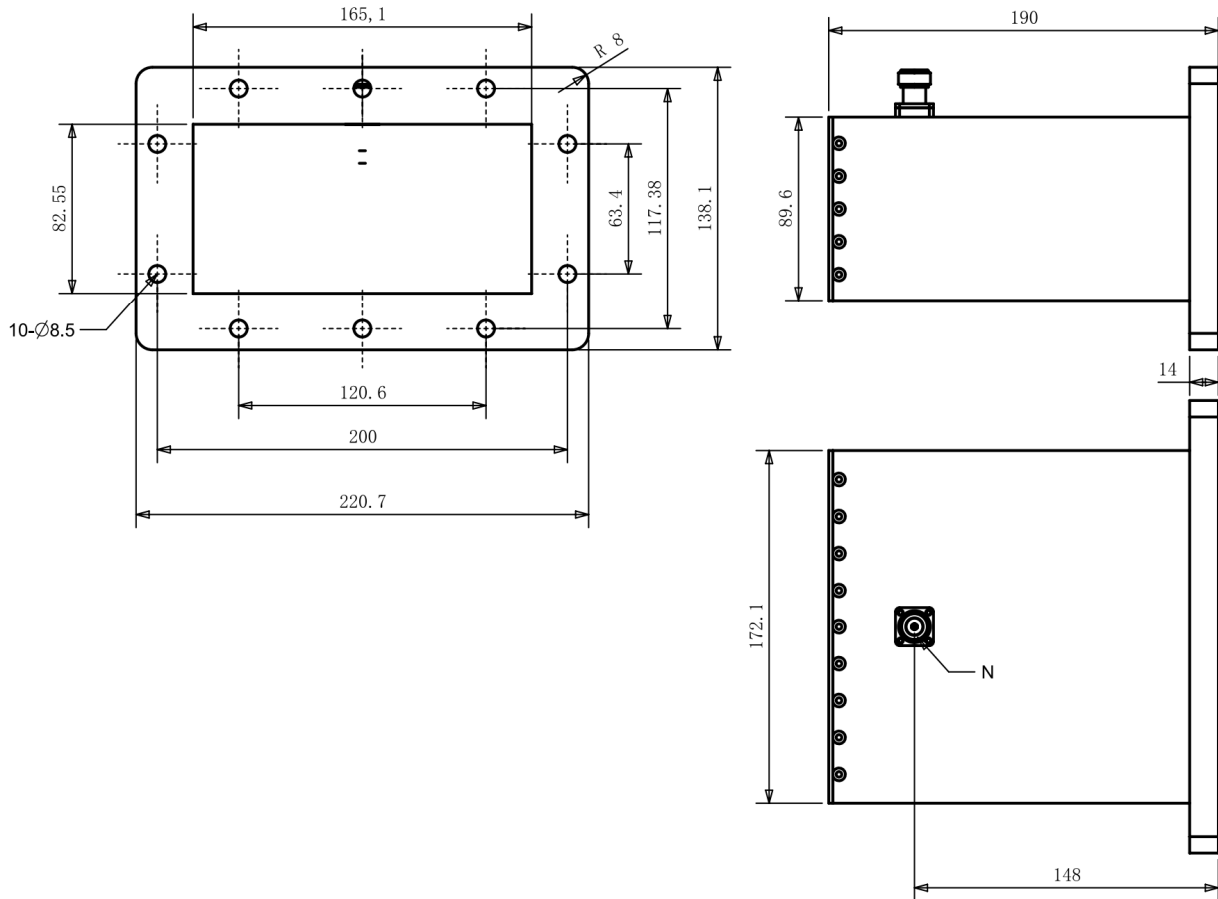
* Paint in grey or black by default, other colors available.



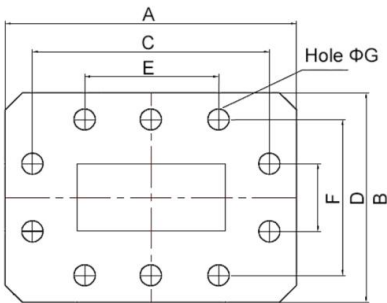
**WR650 to N Female Waveguide to Coaxial Adapter
UDR14 Flange, Right Angle**

Rev 5

Dimensions(mm)



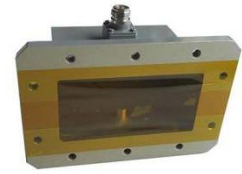
Flange Comparison (mm)



* The purpose of this comparison is to provide a quick reference of different flange standards. Great care has been given, nevertheless there might be a few mistakes.

* Please check the flange compatibility before ordering. Customized flanges are available.

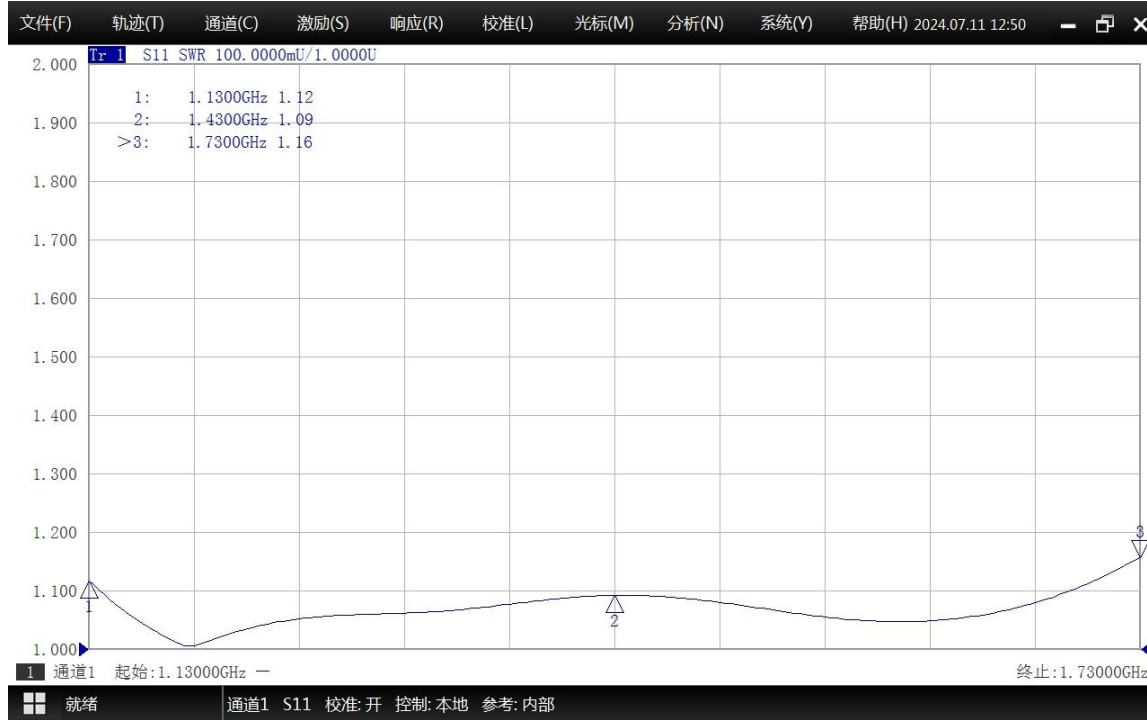
WG SIZE	CONFORMING STANDARD	A	B	C	D	E	F	G
WR650	RF ONE:AWR650N	220.7	138.1	200	117.38	120.6	63.4	8.5
	IEC60154:UDR14	220.70	138.10	200.00	117.38	120.6	63.46	8.00
	USA:M3922/52-002(UG1720/U)	220.73	138.18	200.00	117.40	120.6	63.44	8.38
	USA:CPR 650F	220.65	138.09	200.00	117.38	120.6	63.46	8.33



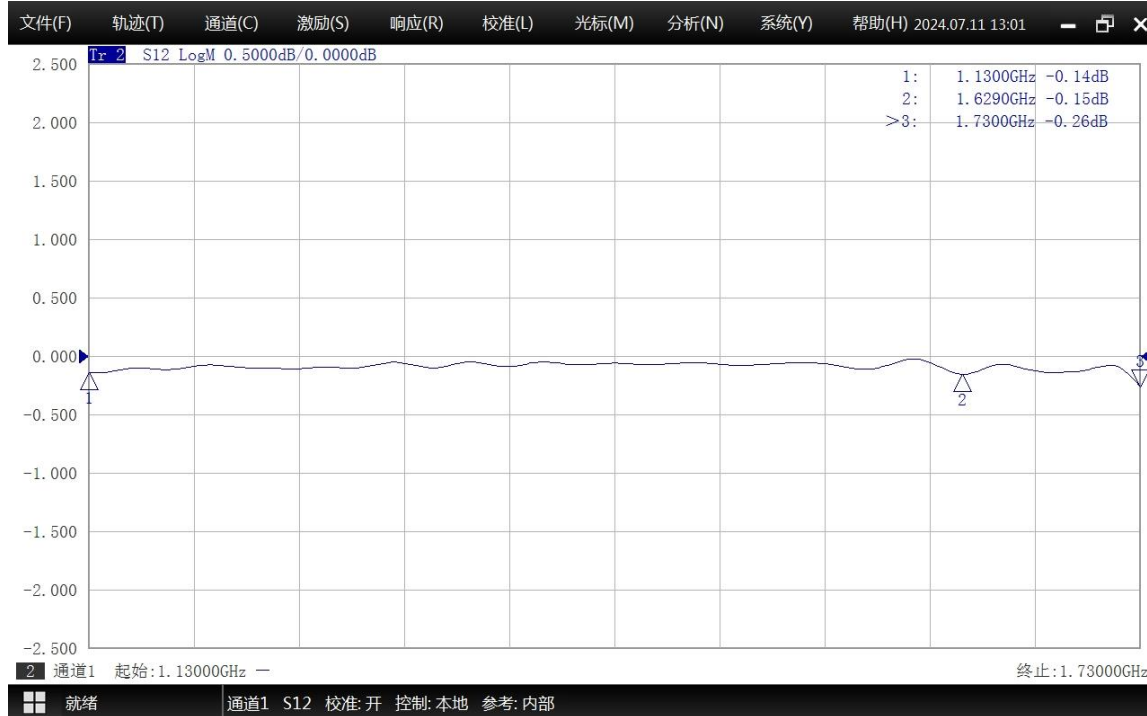
**WR650 to N Female Waveguide to Coaxial Adapter
UDR14 Flange, Right Angle**

Rev 5

Typical Test Data at 25°C



VSWR



Insertion Loss*

* In Insertion Loss (IL) testing, adapters are measured back-to-back. To obtain the loss of a single adapter, divide the measured value by two.