



**WR62 to SMA Female Waveguide to Coaxial Adapter  
PBR140 Flange, End Launch**

Rev 1

**Electrical**

Frequency Range	11.9-18 GHz
VSWR	1.2 max

**Configuration**

Waveguide Size	IEC	R140
	EIA	WR62
Flange	IEC	PBR140
Coax Connector	SMA Female	
Body Geometry	End Launch	

**Mechanical & Environmental**

Waveguide Body	Aluminum, conductive oxidation, anti-corrosive paint
Connector Body	Passivated stainless steel
Center Contact	Gold plated beryllium copper
Operating Temperature	-40°C to +85°C
Connector Interface	MIL-STD-348
RoHS	Compliant under exemptions 6 (b) or 6 (c)
Net Weight	Approx 40g

**Note**

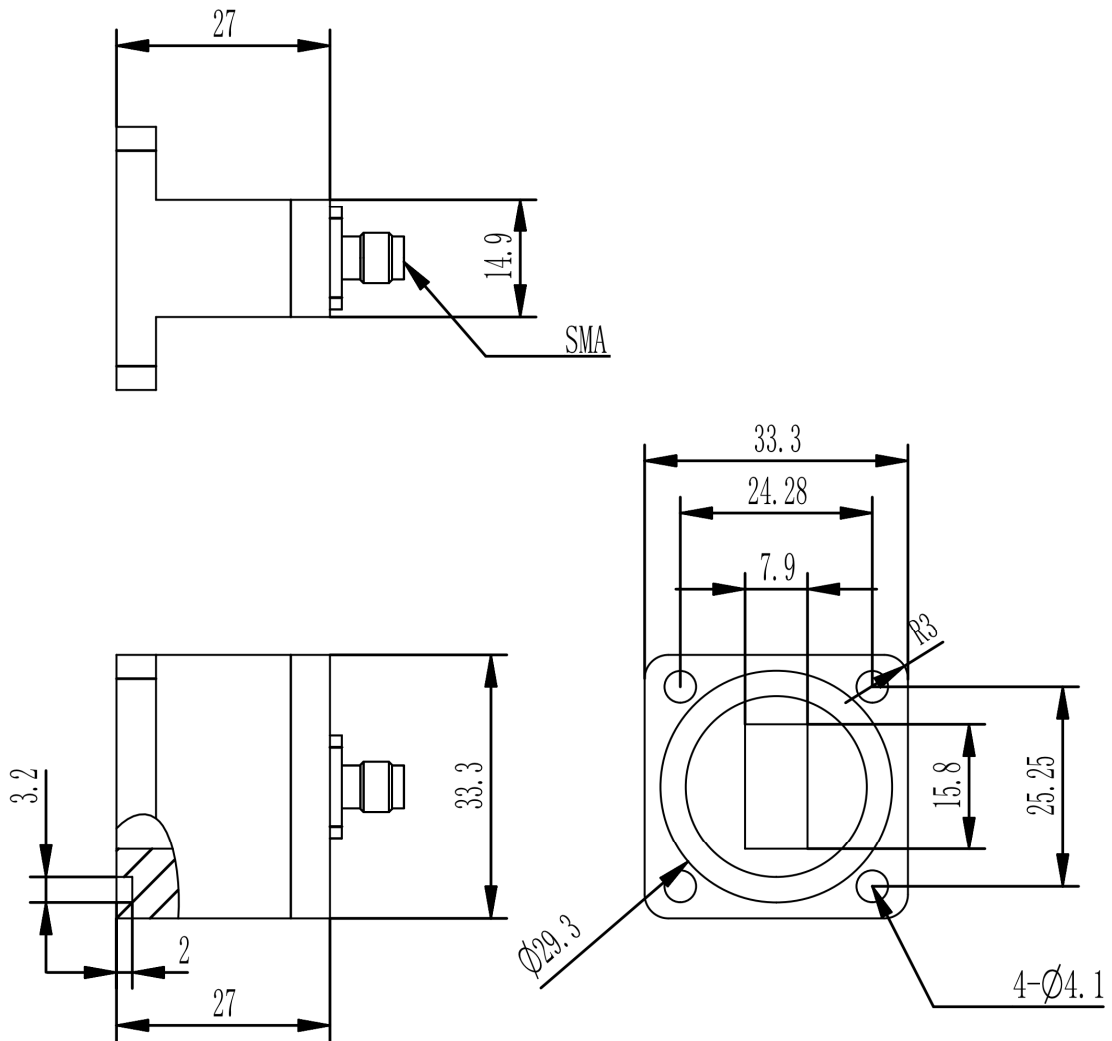
\* Paint in grey or black by default, other colors available.



**WR62 to SMA Female Waveguide to Coaxial Adapter  
PBR140 Flange, End Launch**

Rev 1

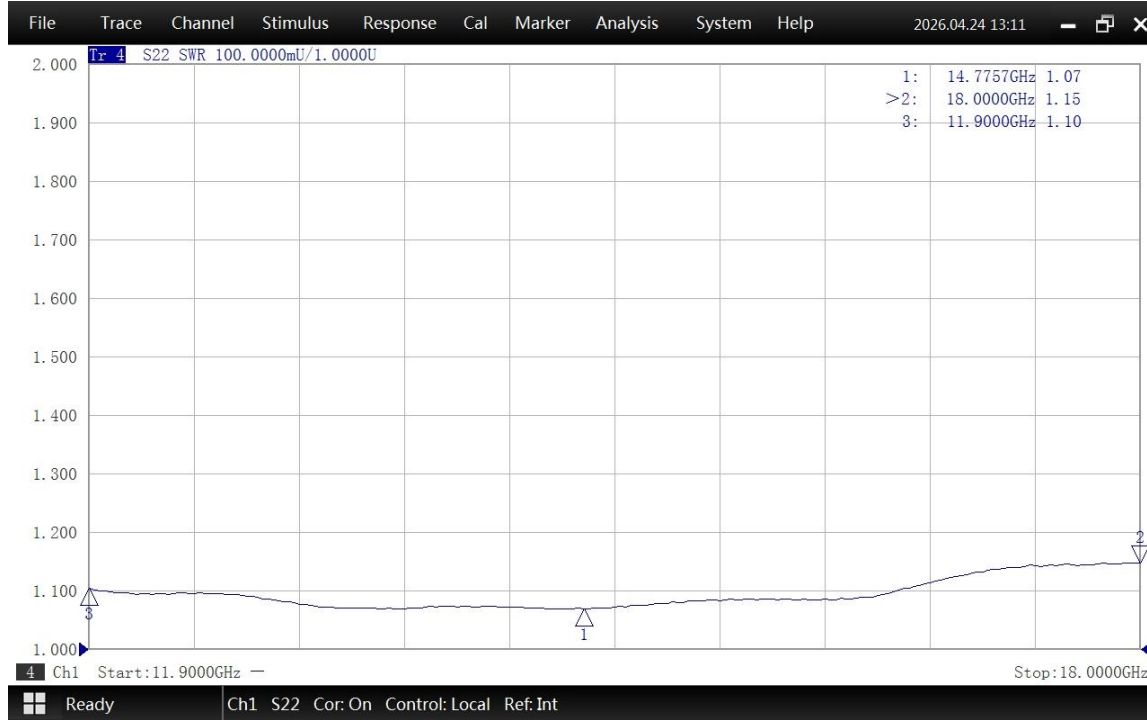
**Dimensions(mm)**



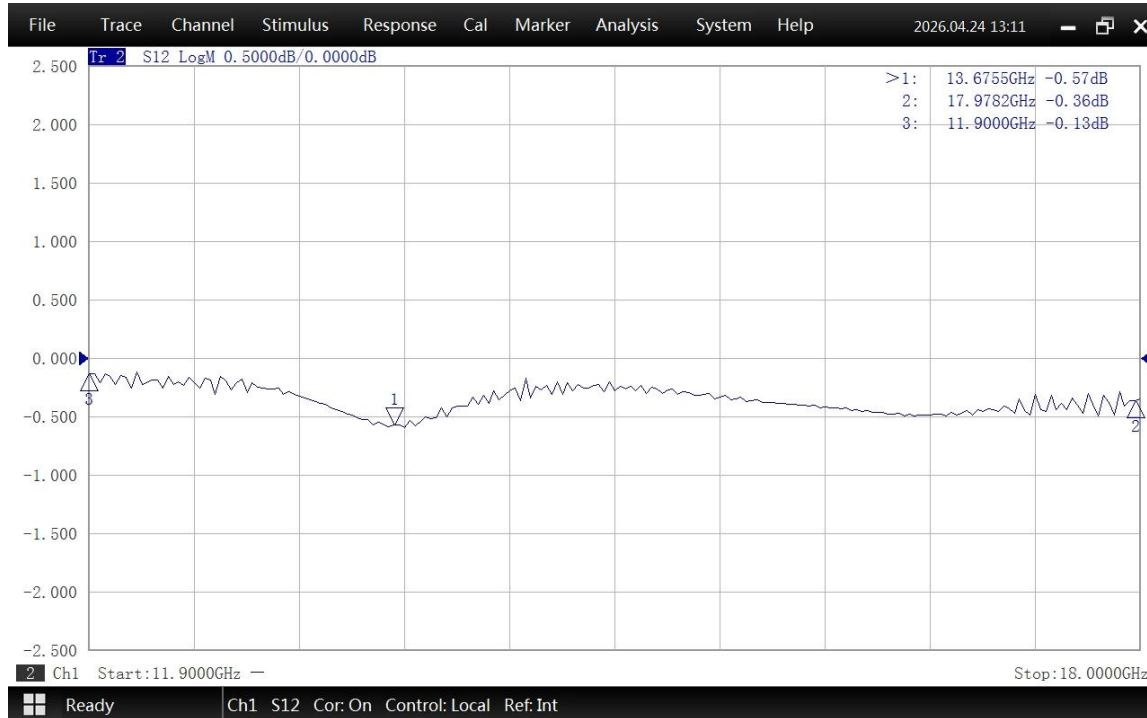


**WR62 to SMA Female Waveguide to Coaxial Adapter  
PBR140 Flange, End Launch**

**Typical Test Data at 25°C**



VSWR



Insertion Loss\*

\* In Insertion Loss (IL) testing, adapters are measured back-to-back. To obtain the loss of a single adapter, divide the measured value by two.