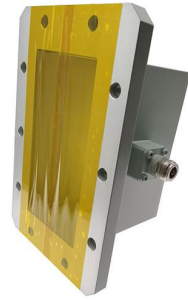


**WR510 to N Female Waveguide to Coaxial Adapter
UDR18 Flange, Right Angle**


Rev 5

Electrical

Frequency Range	1.45-2.2 GHz
VSWR	1.2 max

Configuration

Waveguide Size	IEC	R18
	EIA	WR510
Flange	UDR18	
Coax Connector	N Female	
Body Geometry	Right Angle	

Mechanical & Environmental

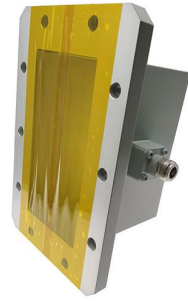
Waveguide Body	Aluminum, conductive oxidation, anti-corrosive paint
Connector Body	Passivated stainless steel
Center Contact	Gold plated beryllium copper
Operating Temperature	-40°C to +85°C
Connector Interface	MIL-STD-348
RoHS	Compliant under exemptions 6 (b) or 6 (c)
Net Weight	Approx 1kg

Note

* Flange size may not be 100% identical with the above listed standards, but are compatible. Refer to the next page for comparison table.

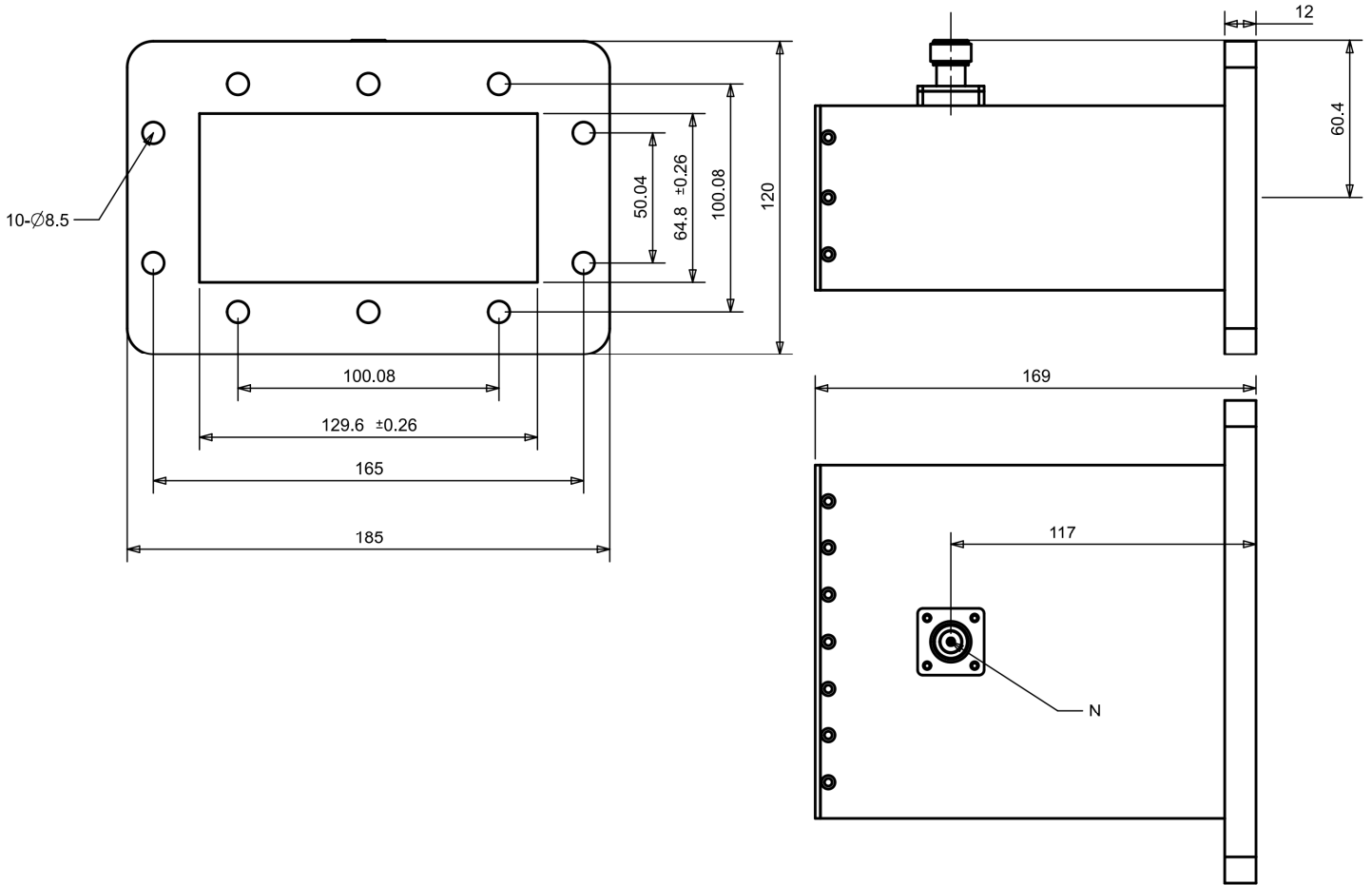
* Paint in grey or black by default, other colors available.

**WR510 to N Female Waveguide to Coaxial Adapter
UDR18 Flange, Right Angle**

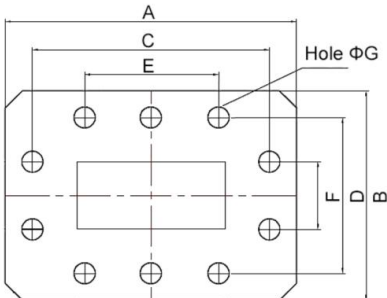


Rev 5

Dimensions(mm)



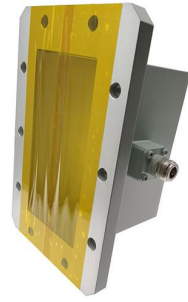
Flange Comparison (mm)



* The purpose of this comparison is to provide a quick reference of different flange standards. Great care has been given, nevertheless there might be a few mistakes.

* Please check the flange compatibility before ordering. Customized flanges are available.

WG SIZE	CONFORMING STANDARD	A	B	C	D	E	F	G
WR510	RF ONE:AWR510N	185	120	165	100.08	100.08	50.04	8.5
	IEC60154:UDR18	185.00	120.00	165.0	100.08	100.08	50.04	8.00
	USA:CPR 510F	181.76	117.48	162.56	87.38	97.8	52.38	6.76



**WR510 to N Female Waveguide to Coaxial Adapter
UDR18 Flange, Right Angle**

Rev 5

Typical Test Data at 25°C

