


**WR430 to SMA Female Waveguide to Coaxial Adapter  
UDR22 Flange, Right Angle**

Rev 5

**Electrical**

Frequency Range	1.72-2.61 GHz
VSWR	1.2 max

**Configuration**

Waveguide Size	IEC	R22
	EIA	WR430
Flange	IEC	UDR22
	North America	Al alloy: M3922/52-006(UG1711/U) Cu alloy: M3922/52-005(UG1716/U) CPR430F
Coax Connector	SMA Female	
Body Geometry	Right Angle	

**Mechanical & Environmental**

Waveguide Body	Aluminum, conductive oxidation, anti-corrosive paint
Connector Body	Passivated stainless steel
Center Contact	Gold plated beryllium copper
Operating Temperature	-40°C to +85°C
Connector Interface	MIL-STD-348
RoHS	Compliant under exemptions 6 (b) or 6 (c)
Net Weight	Approx 1kg

**Note**

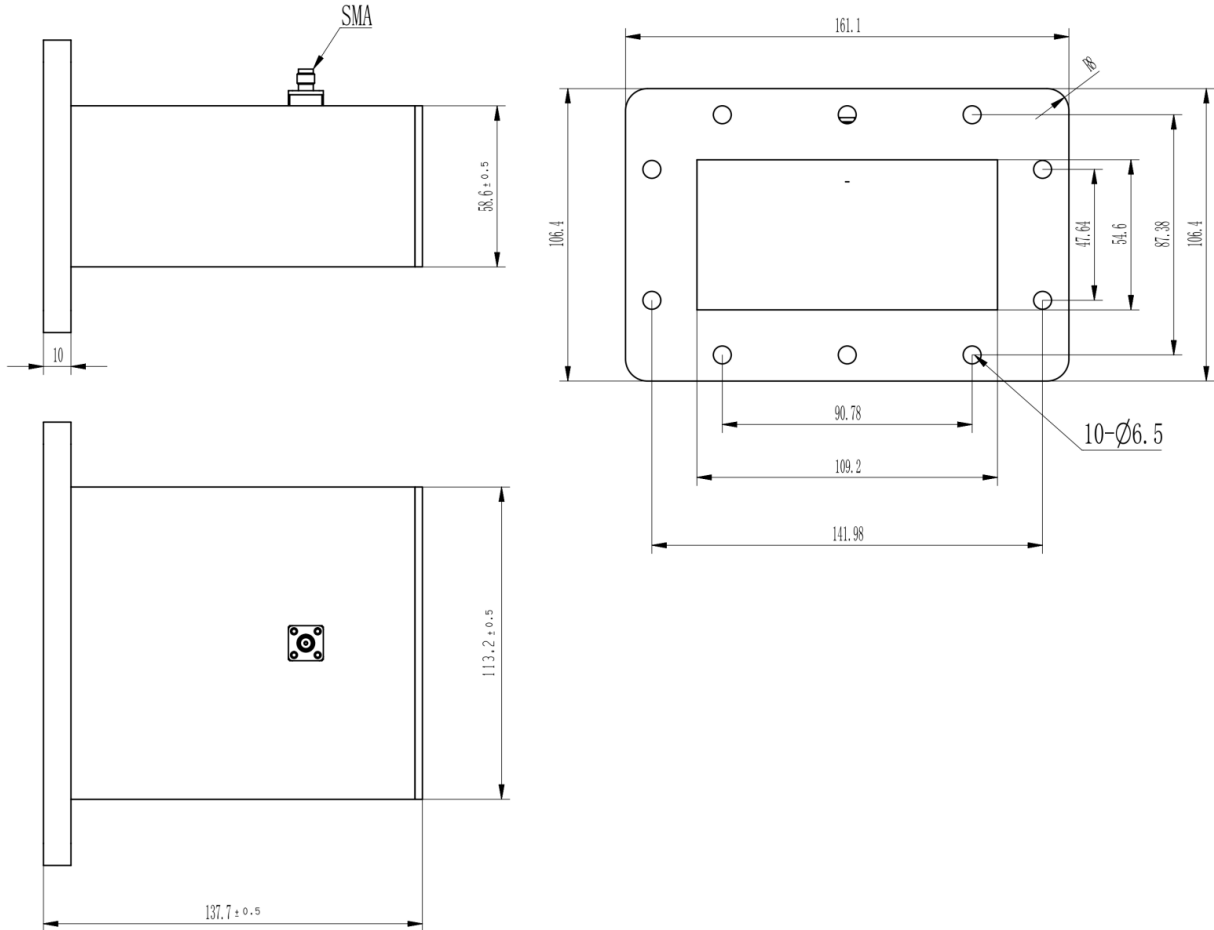
\* Flange size may not be 100% identical with the above listed standards, but are compatible. Refer to the next page for comparison table.

\* Paint in grey or black by default, other colors available.

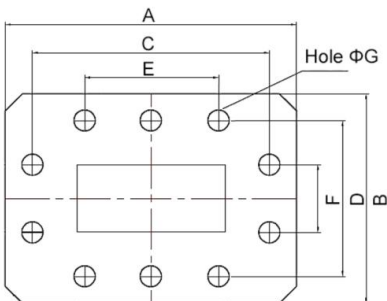


**WR430 to SMA Female Waveguide to Coaxial Adapter  
UDR22 Flange, Right Angle**

**Dimensions(mm)**



**Flange Comparison (mm)**



\* The purpose of this comparison is to provide a quick reference of different flange standards. Great care has been given, nevertheless there might be a few mistakes.

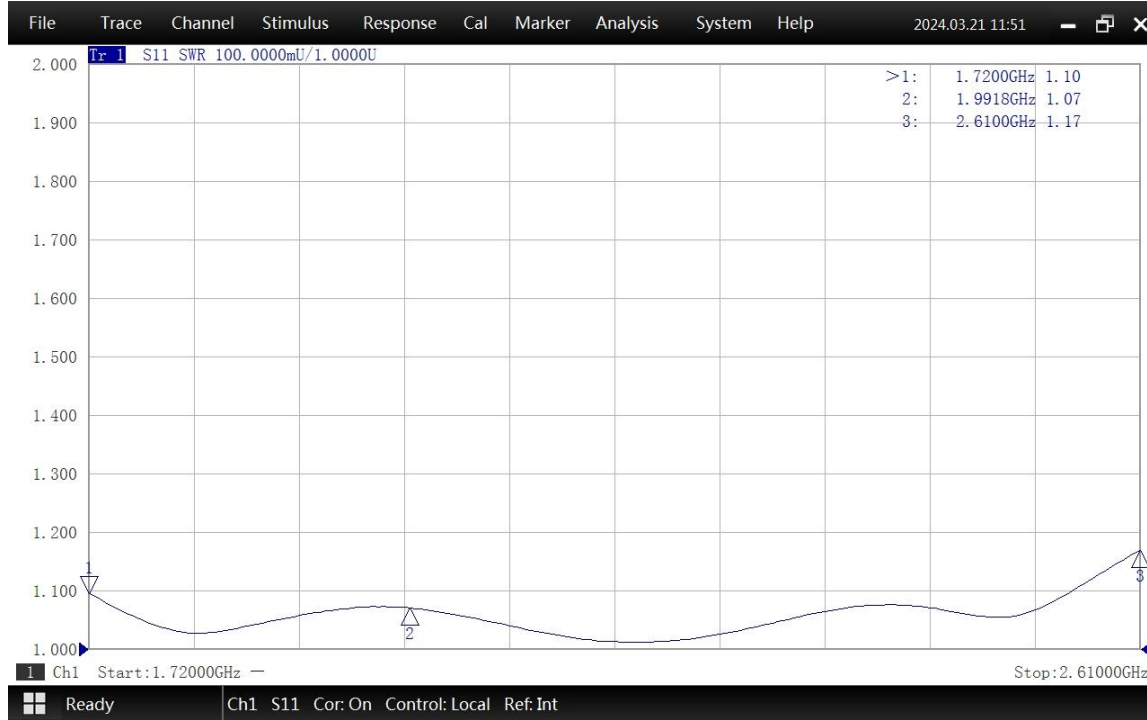
\* Please check the flange compatibility before ordering. Customized flanges are available.

WG SIZE	CONFORMING STANDARD	A	B	C	D	E	F	G
WR430	RF ONE:AWR430SMA	161.1	106.4	141.98	87.38	90.78	47.64	6.5
	IEC60154:UDR22	161.10	106.40	141.98	87.38	90.78	47.64	6.35
	USA:CPR 430F	161.14	106.35	141.98	87.38	90.78	47.66	6.76

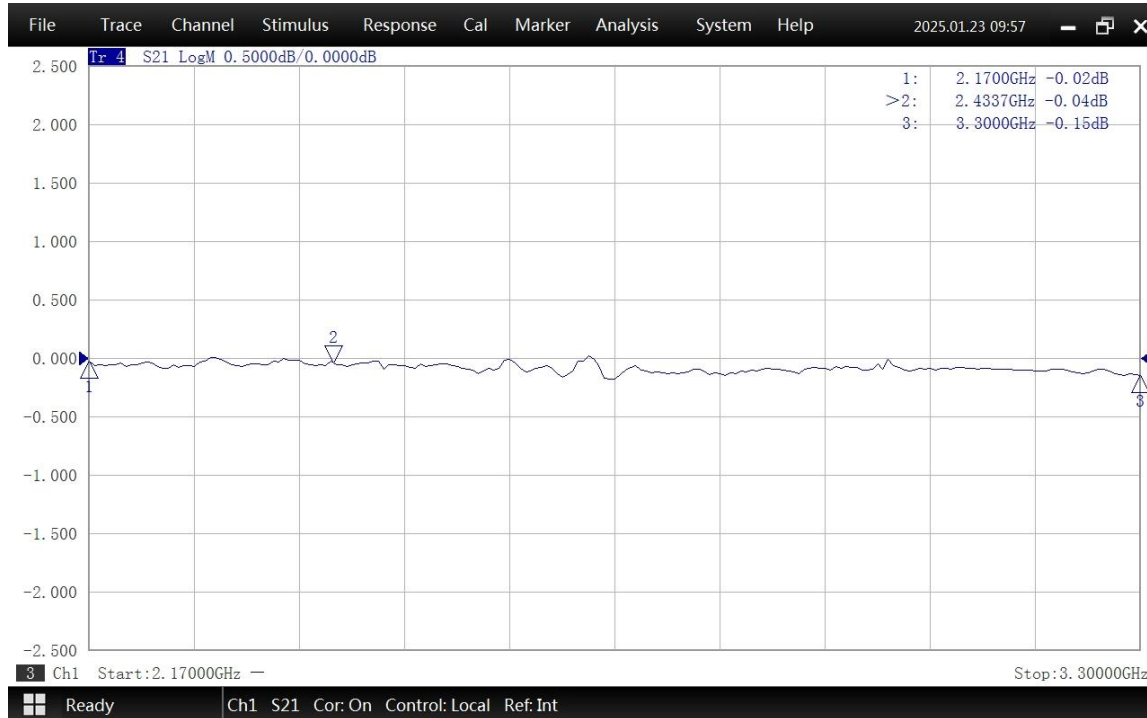


**WR430 to SMA Female Waveguide to Coaxial Adapter  
UDR22 Flange, Right Angle**

**Typical Test Data at 25°C**



VSWR



Insertion Loss\*

\* In Insertion Loss (IL) testing, adapters are measured back-to-back. To obtain the loss of a single adapter, divide the measured value by two.