

**WR284 to SMA Female Waveguide to Coaxial Adapter  
UDR32 Flange, Right Angle**


Rev 5

**Electrical**

Frequency Range	2.6-3.95 GHz
VSWR	1.2 max

**Configuration**

Waveguide Size	IEC	R32
	EIA	WR284
Flange	IEC	UDR32
	North America	Al alloy: M3922/52-010(UG1725/U) Cu alloy: M3922/52-009(UG1724/U) CPR284F
Coax Connector	SMA Female	
Body Geometry	Right Angle	

**Mechanical & Environmental**

Waveguide Body	Aluminum, conductive oxidation, anti-corrosive paint
Connector Body	Passivated stainless steel
Center Contact	Gold plated beryllium copper
Operating Temperature	-40°C to +85°C
Connector Interface	MIL-STD-348
RoHS	Compliant under exemptions 6 (b) or 6 (c)
Net Weight	Approx 460g

**Note**

\* Flange size may not be 100% identical with the above listed standards, but are compatible. Refer to the next page for comparison table.

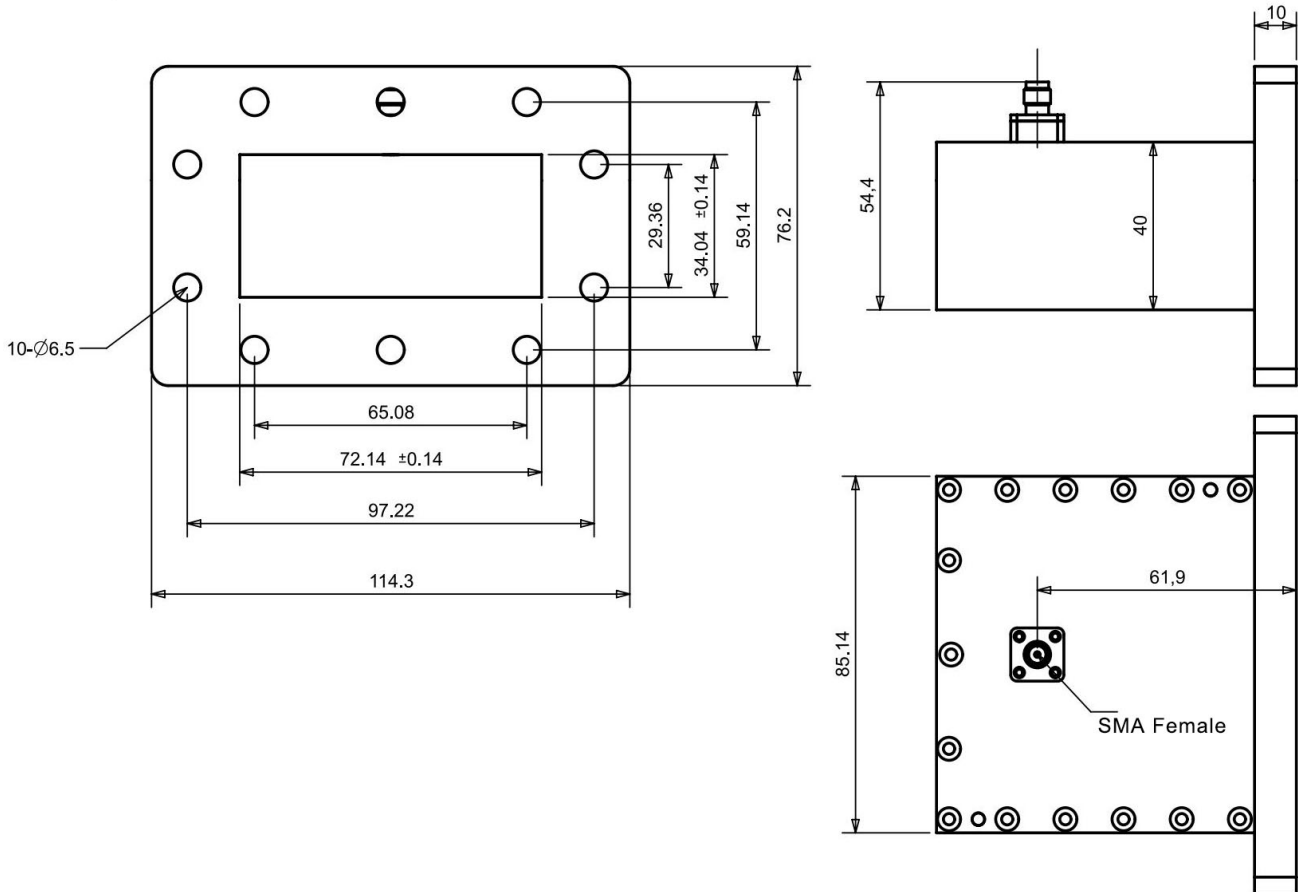
\* Paint in grey or black by default, other colors available.

**WR284 to SMA Female Waveguide to Coaxial Adapter  
UDR32 Flange, Right Angle**

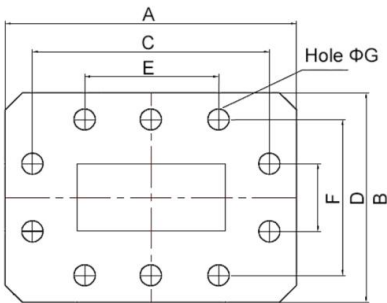


Rev 5

**Dimensions(mm)**



**Flange Comparison (mm)**



\* The purpose of this comparison is to provide a quick reference of different flange standards. Great care has been given, nevertheless there might be a few mistakes.

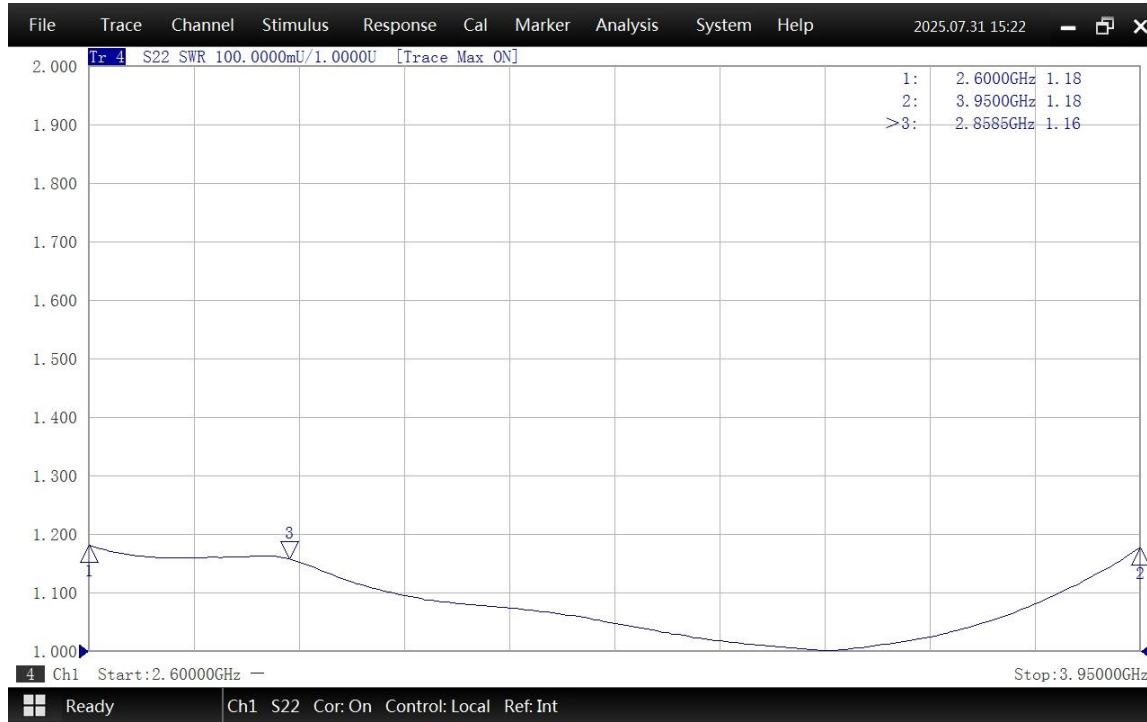
\* Please check the flange compatibility before ordering. Customized flanges are available.

WG SIZE	CONFORMING STANDARD	A	B	C	D	E	F	G
WR284	RF ONE:AWR284SMA	114.3	76.2	97.22	59.14	65.08	29.36	6.5
	IEC60154:UDR32	114.30	76.20	97.22	59.14	65.08	29.36	6.35
	USA:M3922/52-010(UG1725/U)	114.30	76.20	97.24	59.14	65.08	29.36	6.53
	USA:CPR 284F	114.30	76.20	97.24	59.14	65.06	29.36	6.55

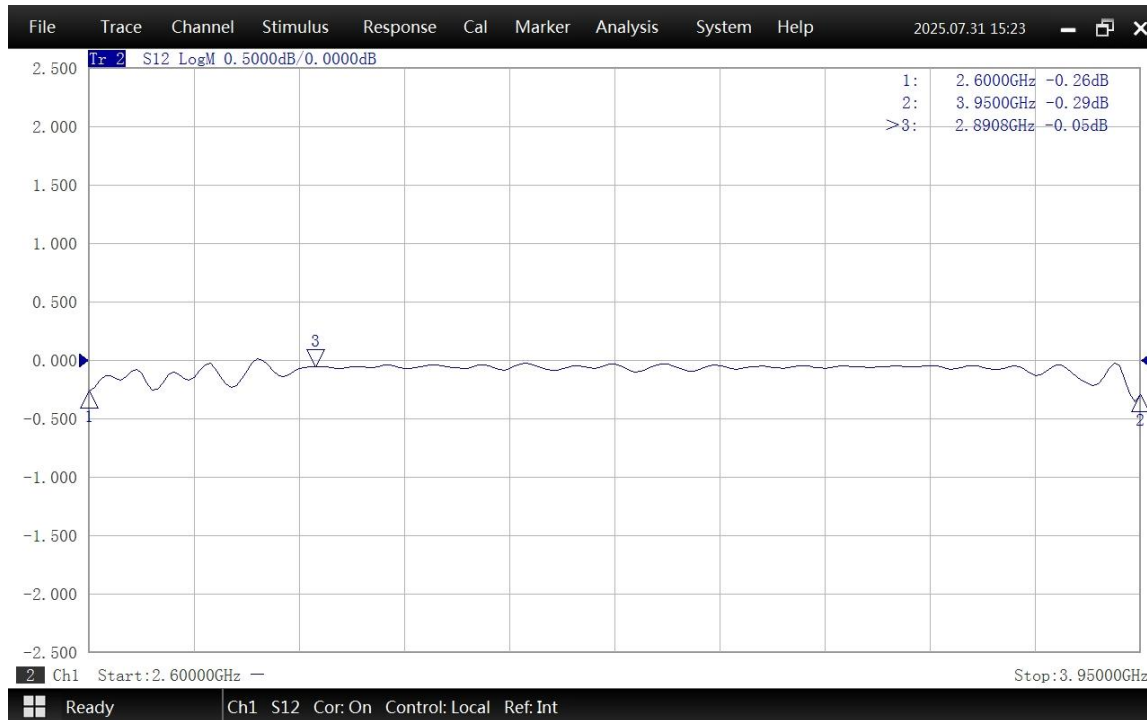
**WR284 to SMA Female Waveguide to Coaxial Adapter  
UDR32 Flange, Right Angle**



**Typical Test Data at 25°C**



VSWR



Insertion Loss\*

\* In Insertion Loss (IL) testing, adapters are measured back-to-back. To obtain the loss of a single adapter, divide the measured value by two.