



**WR22 to 2.4mm Female Waveguide to Coaxial Adapter
UG383/U Flange, Right Angle**

Rev 5

Electrical

Frequency Range	32.9-50.1 GHz
VSWR	1.25 max

Configuration

Waveguide Size	IEC	R400
	EIA	WR22
Flange	IEC	/
	North America	M3922/67-001(UG383/U)
Coax Connector	2.4mm Female	
Body Geometry	Right Angle	

Mechanical & Environmental

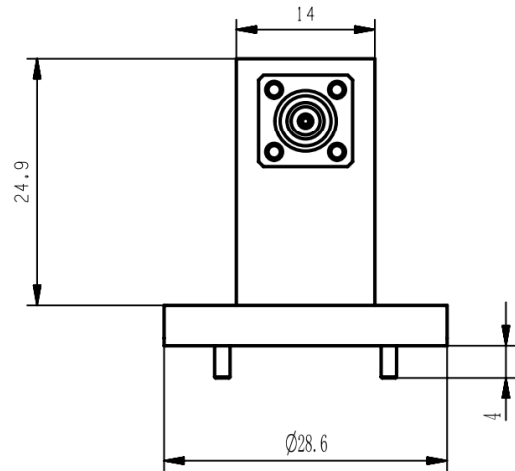
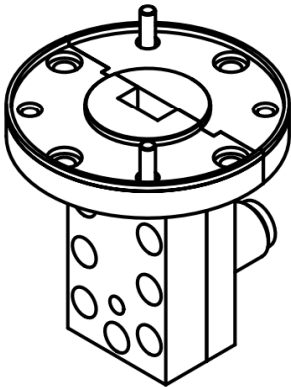
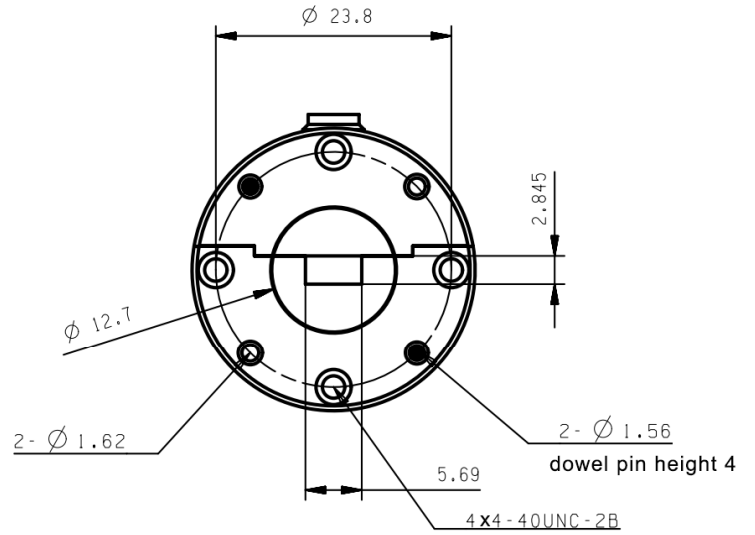
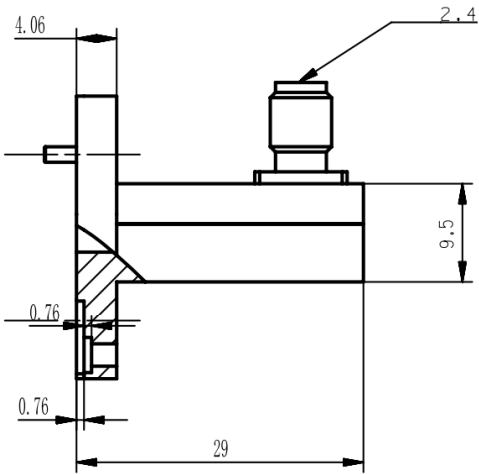
Waveguide Body	Cu, gold plated
Connector Body	Passivated stainless steel
Center Contact	Gold plated beryllium copper
Operating Temperature	-40°C to +85°C
Connector Interface	IEC-61169
RoHS	Compliant under exemptions 6 (b) or 6 (c)
Net Weight	Approx 45g

**WR22 to 2.4mm Female Waveguide to Coaxial Adapter
UG383/U Flange, Right Angle**



Rev 5

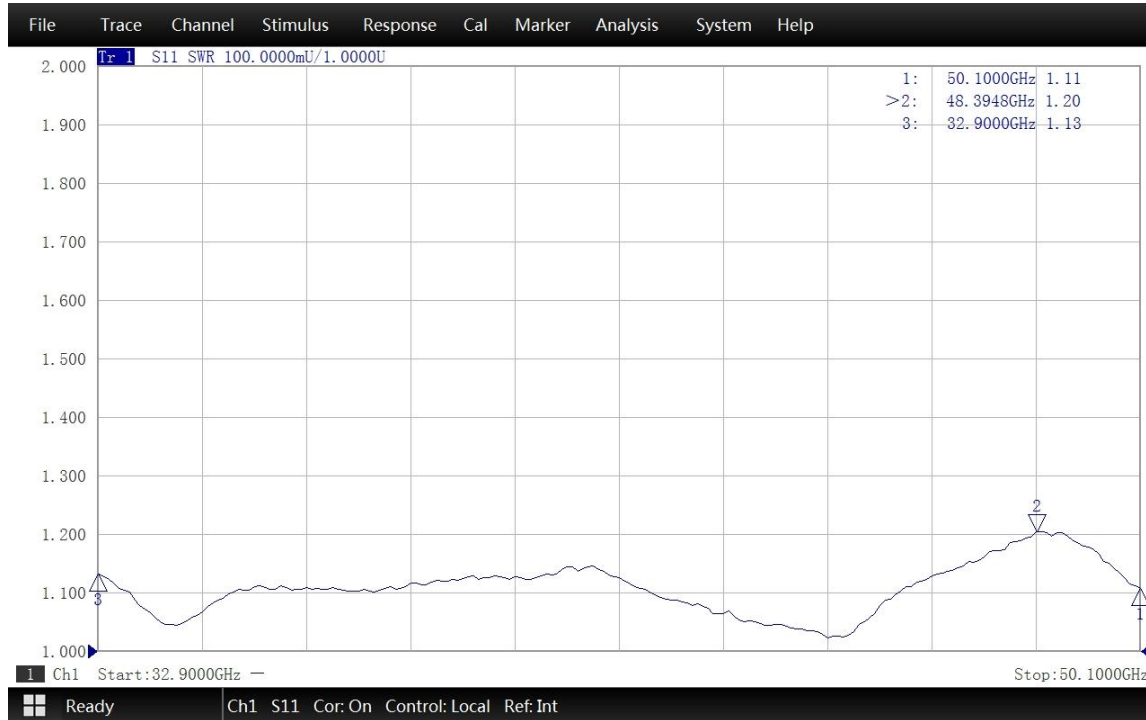
Dimensions(mm)



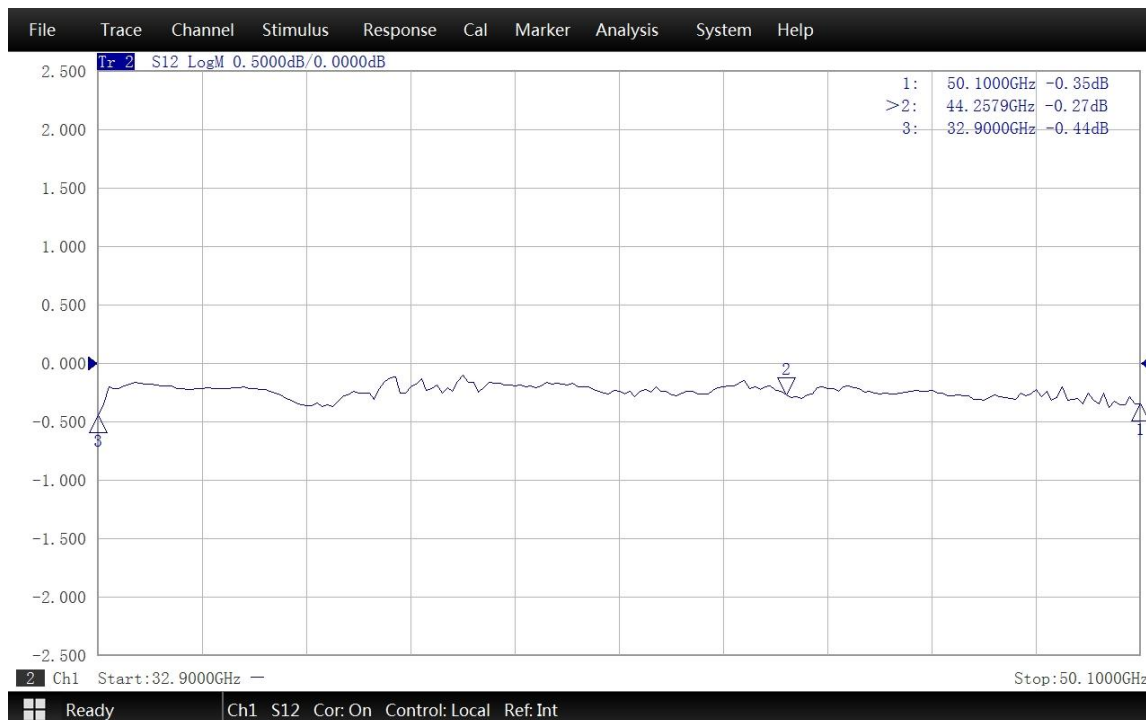


**WR22 to 2.4mm Female Waveguide to Coaxial Adapter
UG383/U Flange, Right Angle**

Typical Test Data at 25°C



VSWR



Insertion Loss*

* In Insertion Loss (IL) testing, adapters are measured back-to-back. To obtain the loss of a single adapter, divide the measured value by two.