



**WR19 to 1.85mm Female Waveguide to Coaxial Adapter  
UG383/U Mod Flange, End Launch**

Rev 5

**Electrical**

Frequency Range	39.2-59.6 GHz
VSWR	1.4 max

**Configuration**

Waveguide Size	IEC	R500
	EIA	WR19
Flange	IEC	/
	North America	UG383/U(Modified)
Coax Connector	1.85mm Female	
Body Geometry	End Launch	

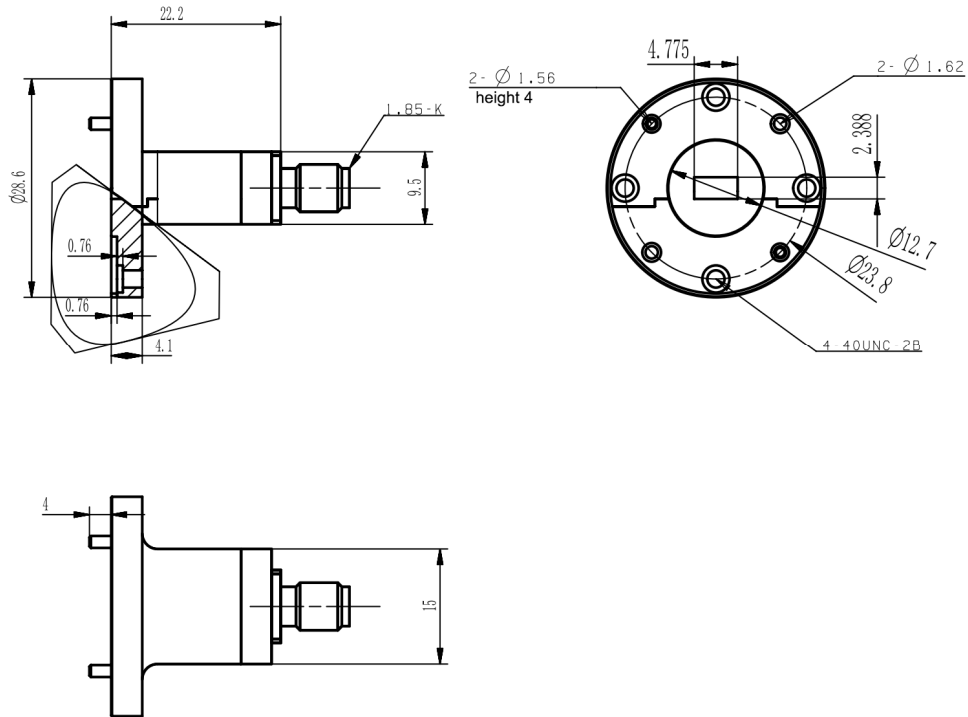
**Mechanical & Environmental**

Waveguide Body	Cu, gold plated
Connector Body	Passivated stainless steel
Center Contact	Gold plated beryllium copper
Operating Temperature	-40°C to +85°C
Connector Interface	IEC-61169
RoHS	Compliant under exemptions 6 (b) or 6 (c)
Net Weight	Approx 40g

WR19 to 1.85mm Female Waveguide to Coaxial Adapter  
UG383/U Mod Flange, End Launch



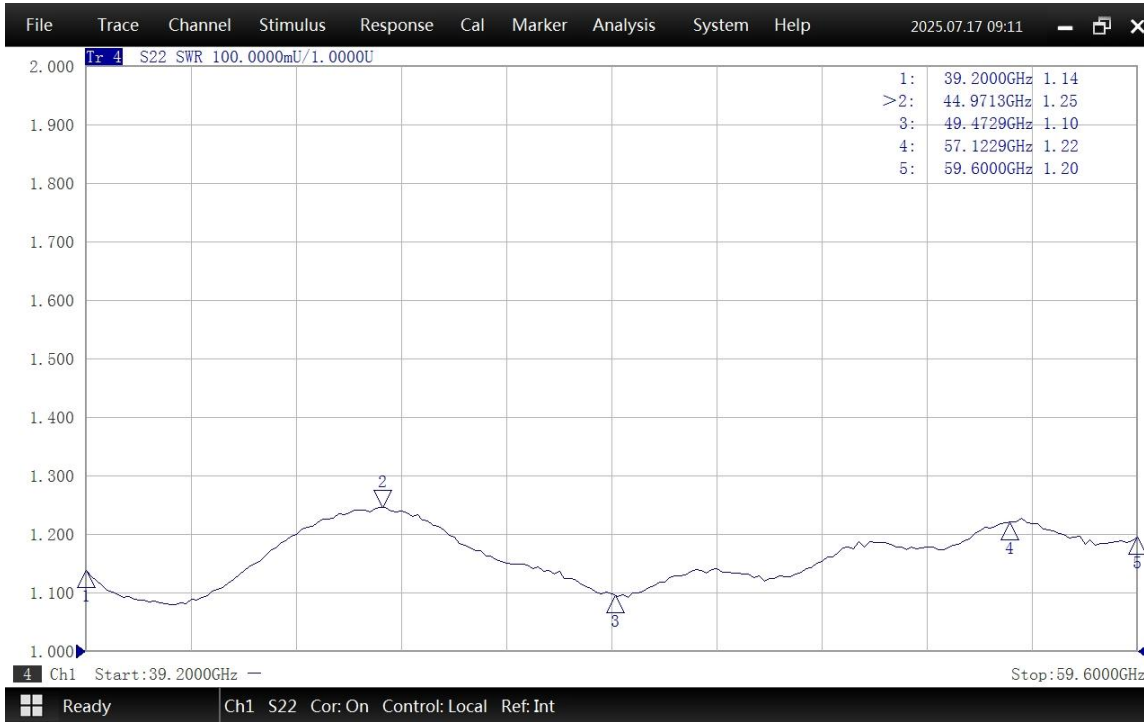
Dimensions(mm)



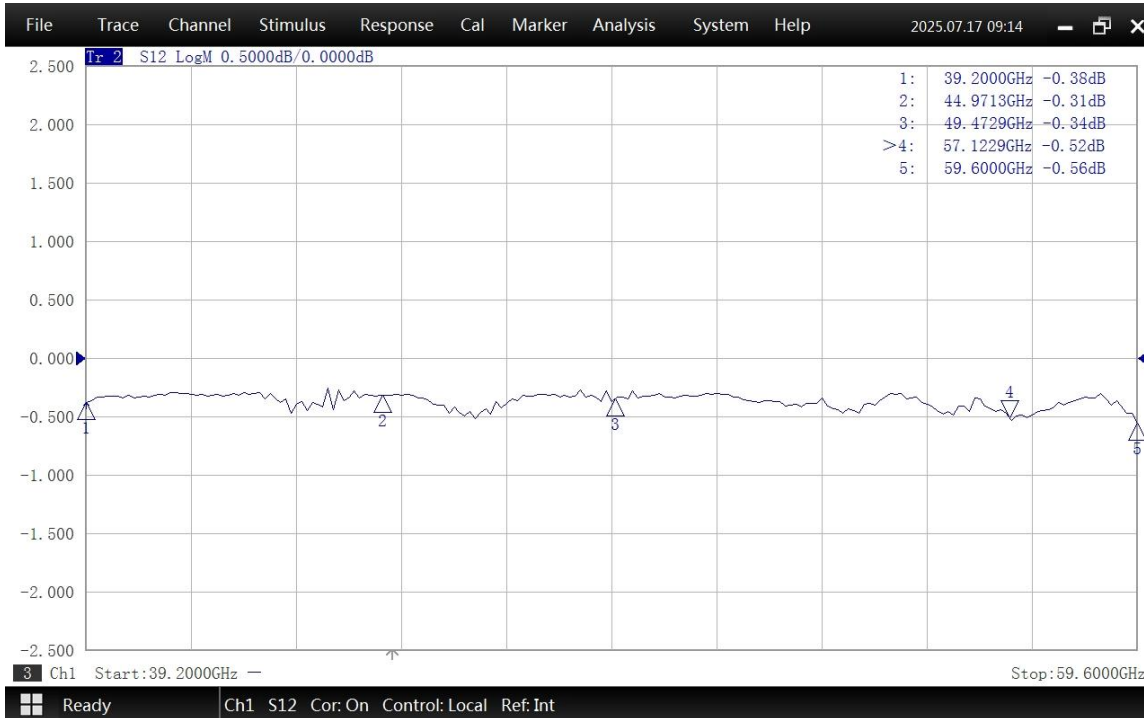


**WR19 to 1.85mm Female Waveguide to Coaxial Adapter  
UG383/U Mod Flange, End Launch**

**Typical Test Data at 25°C**



VSWR



Insertion Loss\*

\* In Insertion Loss (IL) testing, adapters are measured back-to-back. To obtain the loss of a single adapter, divide the measured value by two.