



**WR15 to 1.85mm Female Waveguide to Coaxial Adapter  
UG385/U Flange, Right Angle**

Rev 5

**Electrical**

Frequency Range	50-70 GHz
VSWR	1.35 max

**Configuration**

Waveguide Size	IEC	620
	EIA	WR15
Flange	IEC	/
	North America	UG385/U
Coax Connector	1.85mm Female	
Body Geometry	Right Angle	

**Mechanical & Environmental**

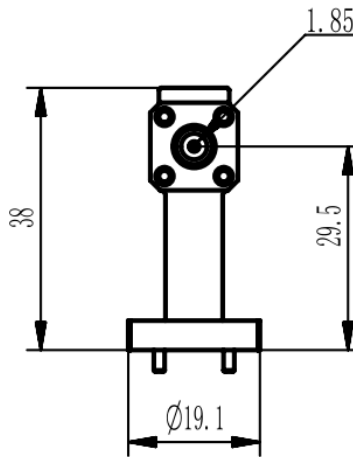
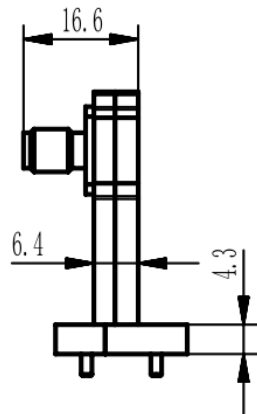
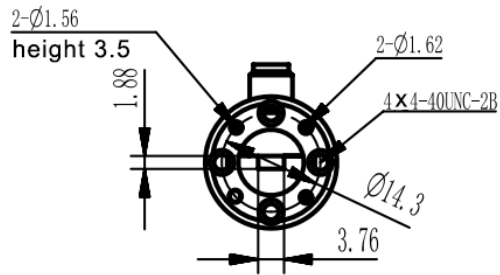
Waveguide Body	Cu, gold plated
Connector Body	Passivated stainless steel
Center Contact	Gold plated beryllium copper
Operating Temperature	-40°C to +85°C
Connector Interface	IEC-61169
RoHS	Compliant under exemptions 6 (b) or 6 (c)
Net Weight	Approx 28g

WR15 to 1.85mm Female Waveguide to Coaxial Adapter  
UG385/U Flange, Right Angle



Rev 5

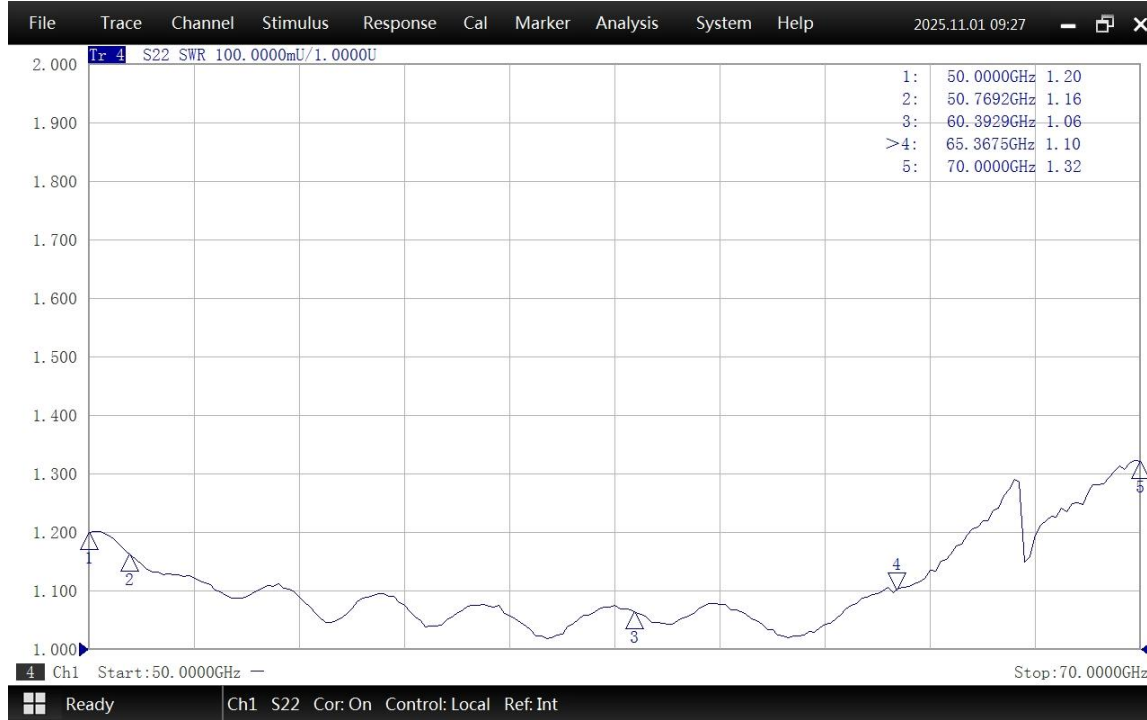
Dimensions(mm)



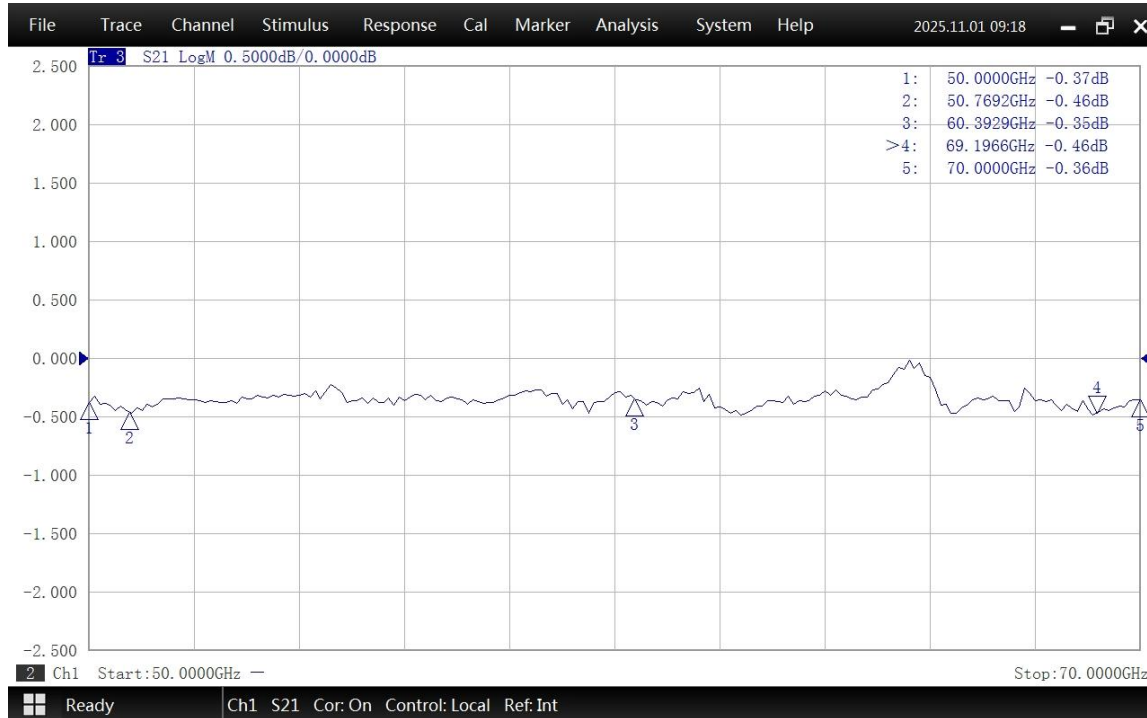
**WR15 to 1.85mm Female Waveguide to Coaxial Adapter  
UG385/U Flange, Right Angle**



**Typical Test Data at 25°C**



VSWR



Insertion Loss\*

\* In Insertion Loss (IL) testing, adapters are measured back-to-back. To obtain the loss of a single adapter, divide the measured value by two.