



**WR15 to 1mm Female Waveguide to Coaxial Adapter
UG385/U Flange, Right Angle**

Rev 5

Electrical

Frequency Range	49.8-75.8 GHz
VSWR	1.38 max

Configuration

Waveguide Size	IEC	R620
	EIA	WR15
Flange	IEC	/
	North America	UG385/U
Coax Connector	1.0mm Female	
Body Geometry	Right Angle	

Mechanical & Environmental

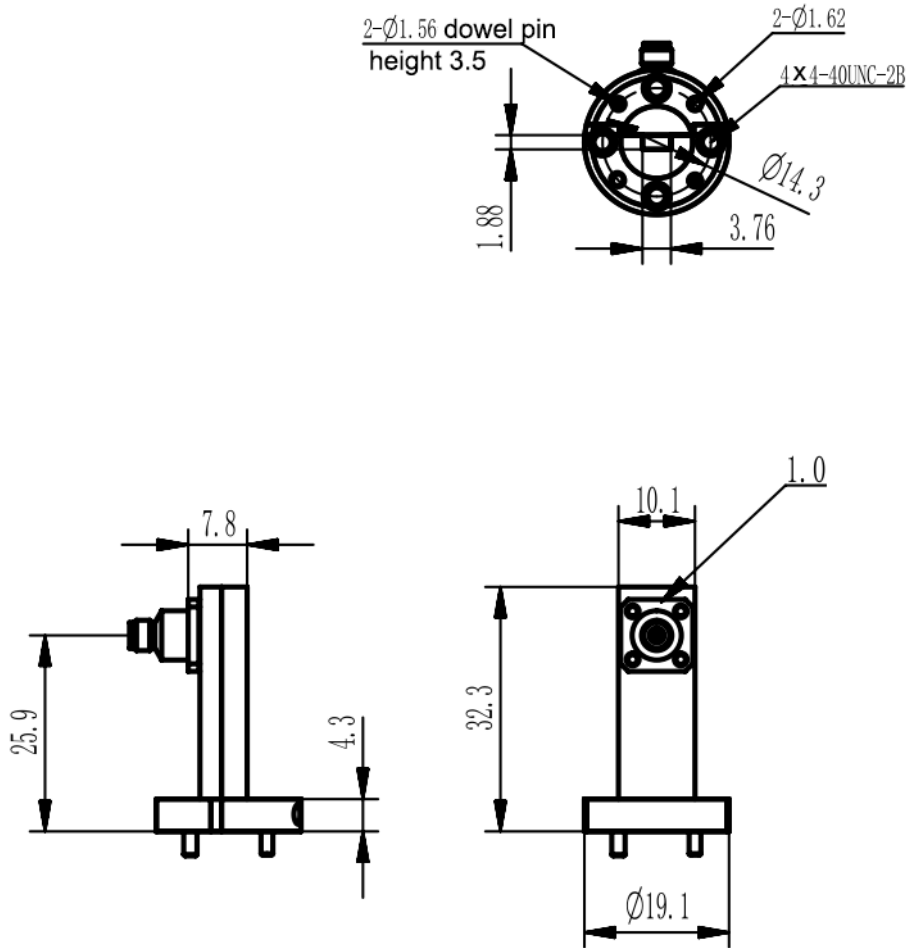
Waveguide Body	Cu, gold plated
Connector Body	Passivated stainless steel
Center Contact	Gold plated beryllium copper
Operating Temperature	-40°C to +85°C
Connector Interface	IEC-61169
RoHS	Compliant under exemptions 6 (b) or 6 (c)
Net Weight	Approx 26g

WR15 to 1mm Female Waveguide to Coaxial Adapter
UG385/U Flange, Right Angle



Rev 5

Dimensions(mm)



**WR15 to 1mm Female Waveguide to Coaxial Adapter
UG385/U Flange, Right Angle**



Rev 5

Typical Test Data at 25°C

