



**WR12 to 1mm Female Waveguide to Coaxial Adapter
UG387/U Flange, End-launch**

Rev 5

Electrical

| | |
|-----------------|---------------|
| Frequency Range | 60.5-91.9 GHz |
| VSWR | 1.5 max |

Configuration

| | | |
|----------------|---------------|-----------------------|
| Waveguide Size | IEC | 740 |
| | EIA | WR12 |
| Flange | IEC | / |
| | North America | M3922/67-003(UG387/U) |
| Coax Connector | 1mm Female | |
| Body Geometry | End-launch | |

Mechanical & Environmental

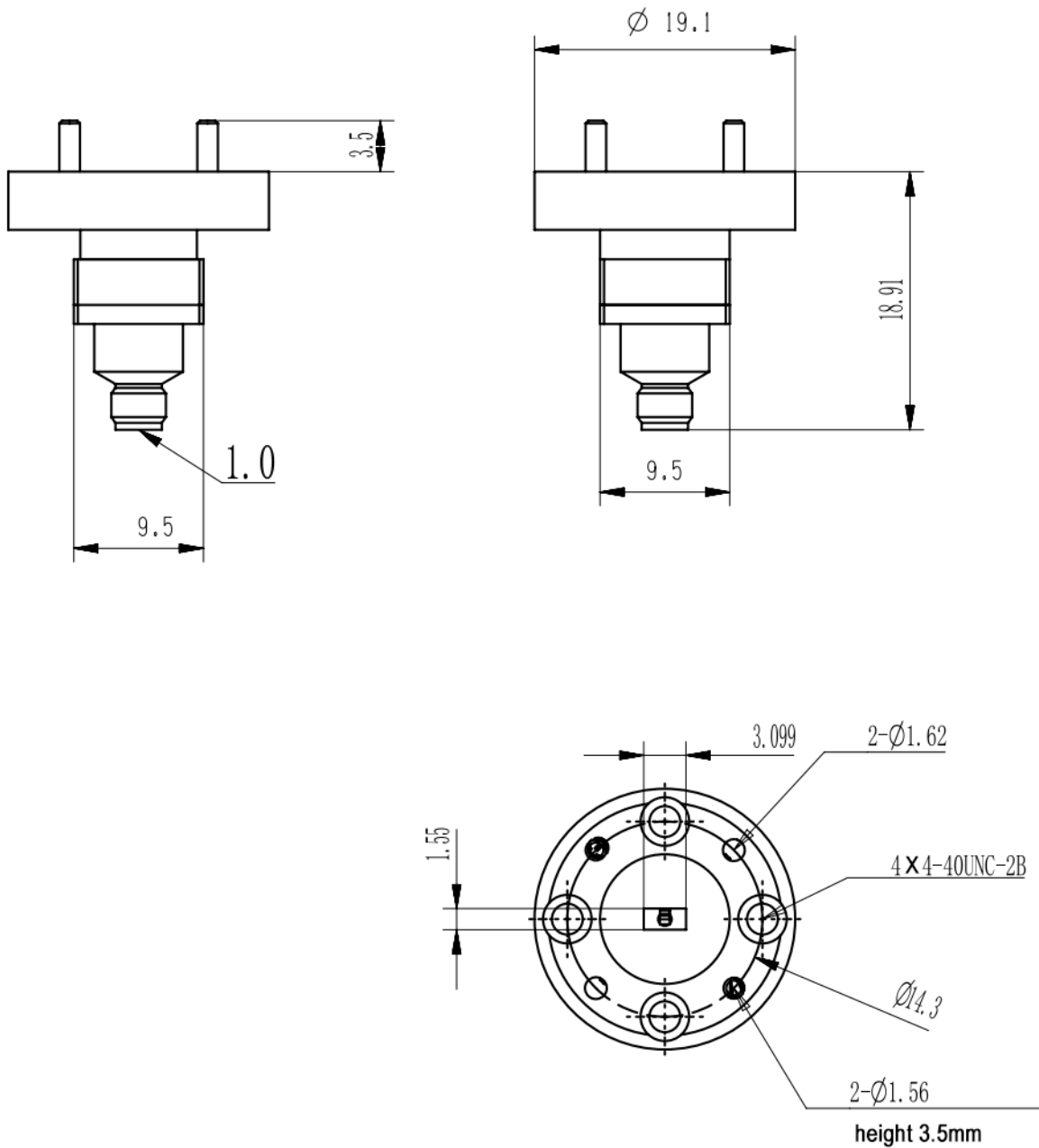
| | |
|-----------------------|---|
| Waveguide Body | Cu, gold plated |
| Connector Body | Passivated stainless steel |
| Center Contact | Gold plated beryllium copper |
| Operating Temperature | -40°C to +85°C |
| Connector Interface | IEC-61169 |
| RoHS | Compliant under exemptions 6 (b) or 6 (c) |
| Net Weight | Approx 15g |

WR12 to 1mm Female Waveguide to Coaxial Adapter
UG387/U Flange, End-launch



Rev 5

Dimensions(mm)



**WR12 to 1mm Female Waveguide to Coaxial Adapter
UG387/U Flange, End-launch**



Typical Test Data at 25°C

