



**WR12 to 1mm Female Waveguide to Coaxial Adapter
UG387/U Flange, Right Angle**

Rev 5

Electrical

Frequency Range	60.5-91.9 GHz
VSWR	1.4 max

Configuration

Waveguide Size	IEC	740
	EIA	WR12
Flange	IEC	/
	North America	M3922/67-003(UG387/U)
Coax Connector	1mm Female	
Body Geometry	Right Angle	

Mechanical & Environmental

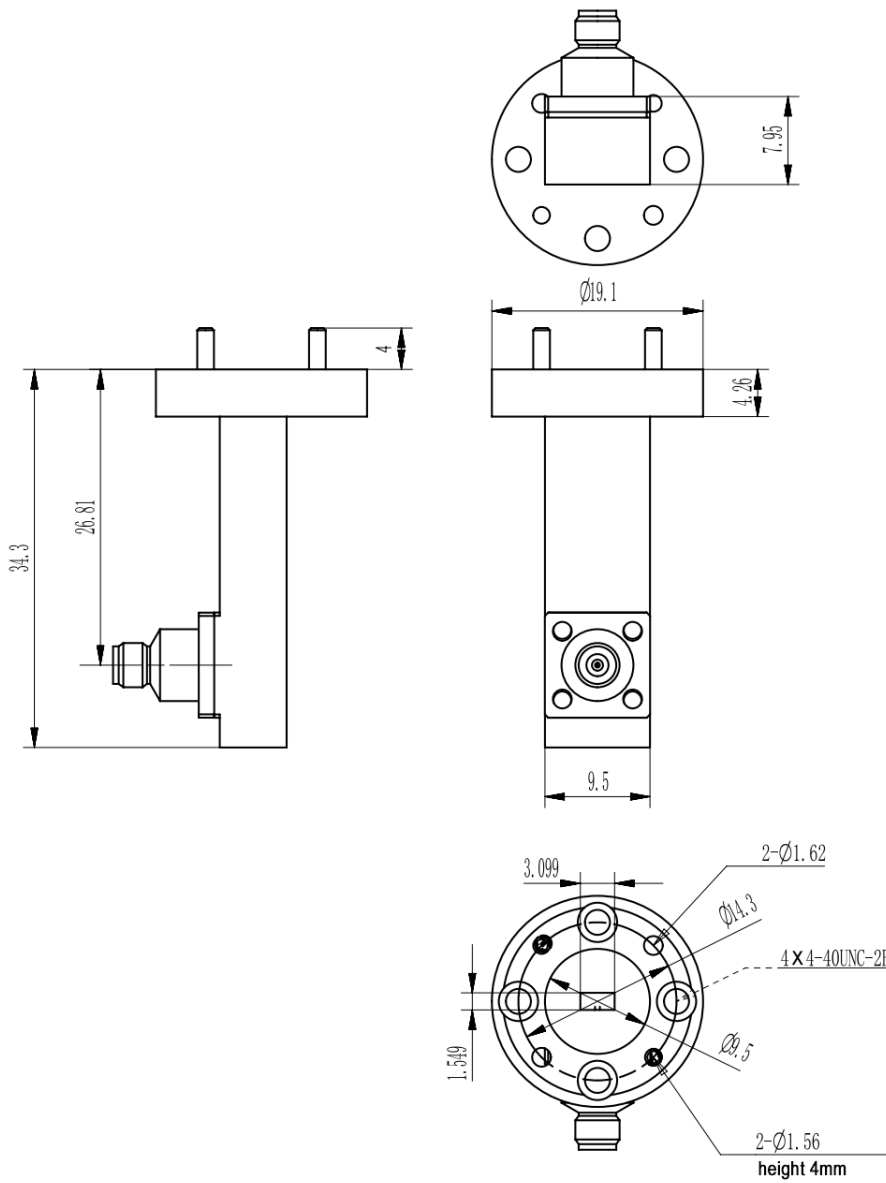
Waveguide Body	Cu, gold plated
Connector Body	Passivated stainless steel
Center Contact	Gold plated beryllium copper
Operating Temperature	-40°C to +85°C
Connector Interface	IEC-61169
RoHS	Compliant under exemptions 6 (b) or 6 (c)
Net Weight	Approx 24g

**WR12 to 1mm Female Waveguide to Coaxial Adapter
UG387/U Flange, Right Angle**



Rev 5

Dimensions(mm)





**WR12 to 1mm Female Waveguide to Coaxial Adapter
UG387/U Flange, Right Angle**

Rev 5

Typical Test Data at 25°C

