

**WR10 to 1mm Male Waveguide to Coaxial Adapter
UG387/U Flange, Right Angle**


Rev 5

Electrical

Frequency Range	73.8-110 GHz
VSWR	1.4 max

Configuration

Waveguide Size	IEC	900
	EIA	WR10
Flange	IEC	/
	North America	UG387/U
Coax Connector	1mm Male	
Body Geometry	Right Angle	

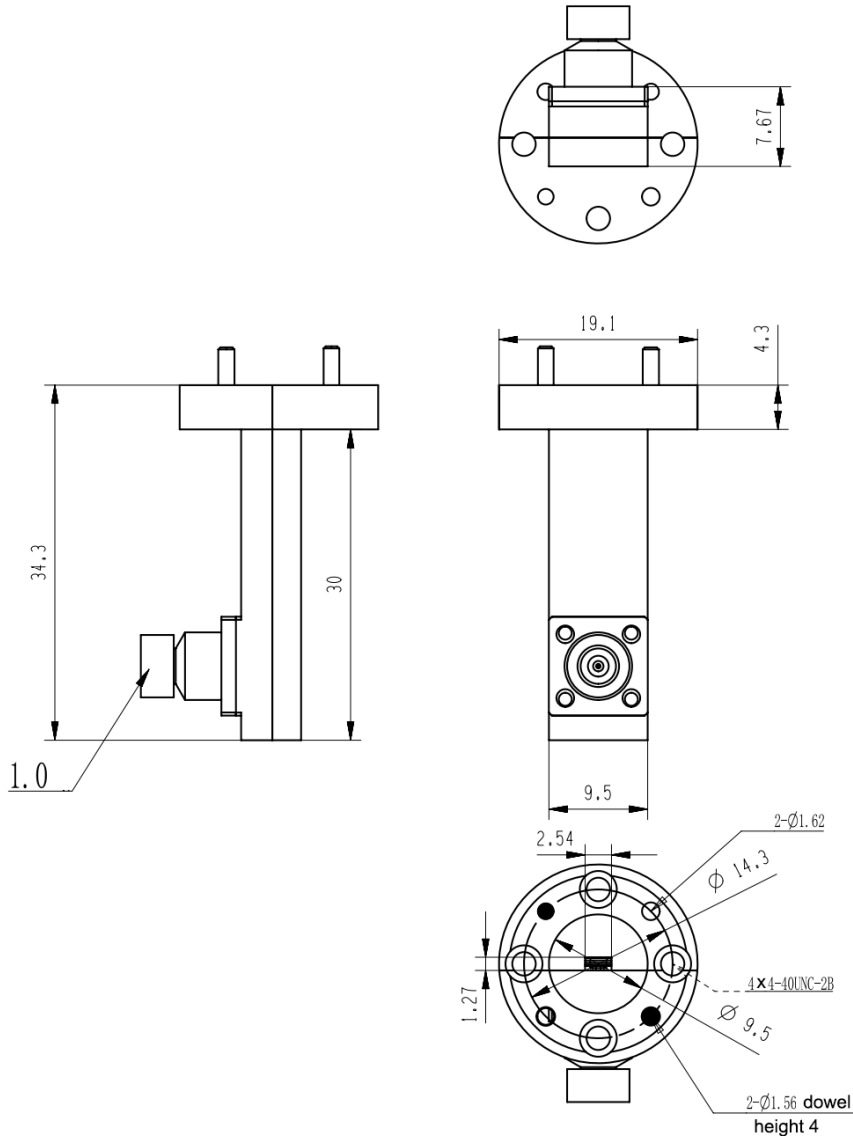
Mechanical & Environmental

Waveguide Body	Cu, gold plated
Connector Body	Passivated stainless steel
Center Contact	Gold plated beryllium copper
Operating Temperature	-40°C to +85°C
Connector Interface	IEC-61169
RoHS	Compliant under exemptions 6 (b) or 6 (c)
Net Weight	Approx 25g

**WR10 to 1mm Male Waveguide to Coaxial Adapter
UG387/U Flange, Right Angle**



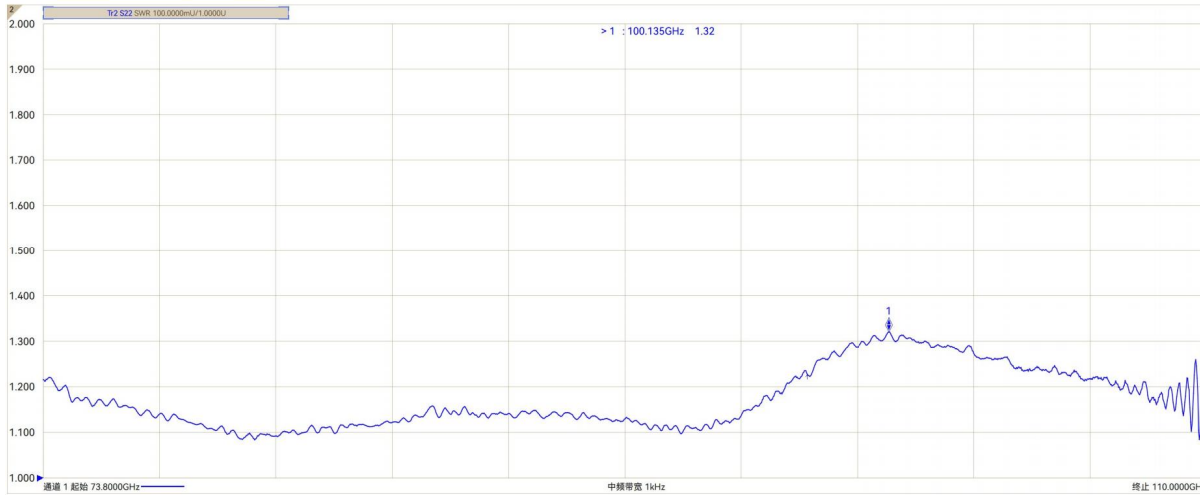
Dimensions(mm)



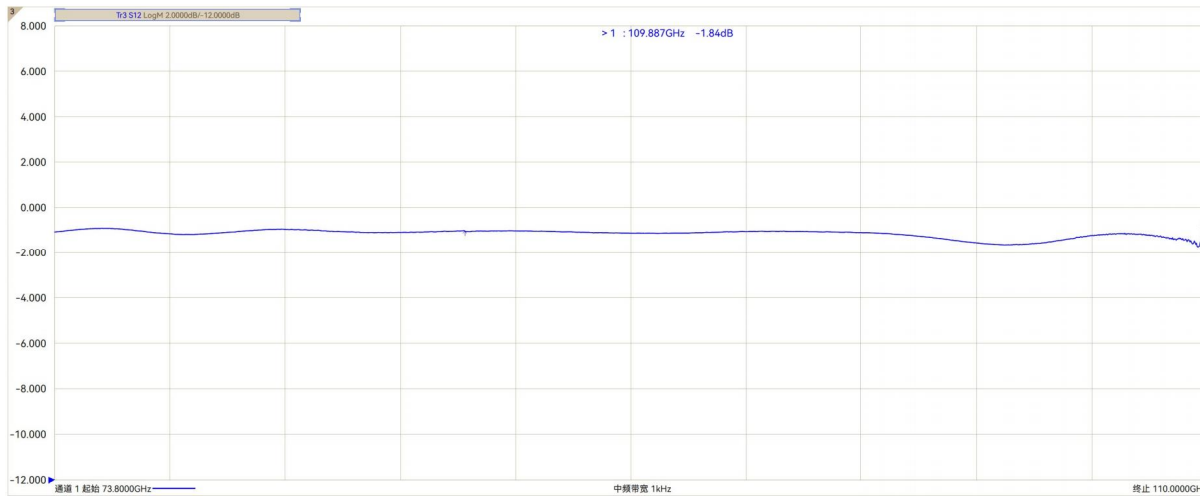
**WR10 to 1mm Male Waveguide to Coaxial Adapter
UG387/U Flange, Right Angle**



Typical Test Data at 25°C



VSWR



Insertion Loss*

* In Insertion Loss (IL) testing, adapters are measured back-to-back. To obtain the loss of a single adapter, divide the measured value by two.